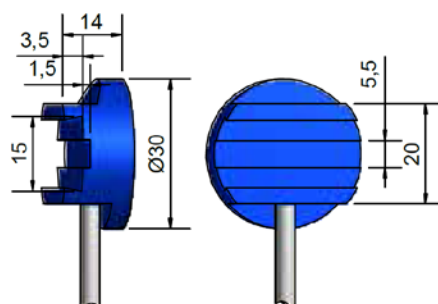


# sensor capacitive

**PRODUCT:** filling level, PA  
teach by wire

**DESIGN:** Ø30mm



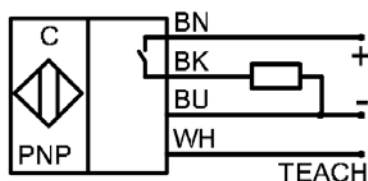
- PA housing
- flush mounting
- LED Display yellow/green
- integrated amplifier
- short circuit and reverse polarity protection
- Teach by wire

## technical data

## DC

operating voltage	10-35V DC
max. current	200mA
nominal sensing range $S_n$	5mm (min./max 1...10mm)
voltage drop max.	≤ 2.0 V
switching frequency	2Hz
ambient temperature [°C]	-25°C ...+70°C
system of protection [EN 60529]	IP 68
connection	2m PVC cable, 4 x 0.14mm <sup>2</sup>
output	npn, no

## electrical connection



**ARTICLE CODE**      **KB30CXXX**

**Warning:** Do never use these devices in applications where the safety of a person depends on their functionality!