

## OY180420

### OPTICAL SENSORS • LUMINESCENCE DIFFUSE REFLECTION SENSORS

#### MECHANICAL FEATURES

Ambient temperature	-25 °C ... 55 °C
Degree of protection (IP)	IP67
Housing design	Cylinder, screw-thread
Housing material	Metal
Material of optical surface	Plastic
Sensor diameter	18 mm
Sensor length	81.5 mm
With fiber optics connection	-
With interchangeable lens	-

#### ELECTRICAL FEATURES

Analog output 0 mA ... 20 mA	-
Analog output 0 V ... 10 V	-
Analog output -10 V ... +10 V	-
Analog output 4 mA ... 20 mA	-
Max. output current	100 mA
No-load current	25 mA
Number of pins	4
Operating voltage	10 V ... 30 V
Sensing range	8 mm ... 20 mm
Setting procedure	Teach-In
Switching frequency	1000 Hz
Type of electrical connection	M12-connector, 4-pin
Type of frequency band of the receiving spectrum	Other
Type of lamp	UV LED
Type of switching function	Normally closed contact/normally open contact
Type of switching output	PNP
Voltage type	DC
With blanking function	-
With LED display	+
With time function	-

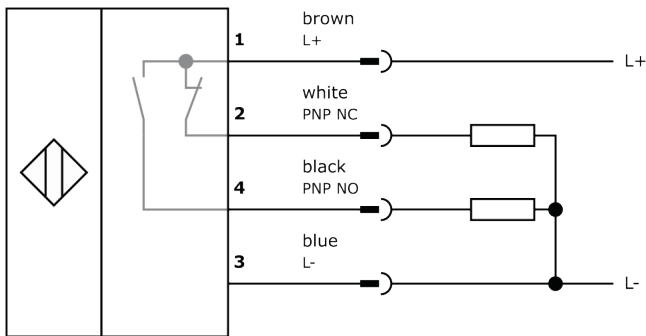
## OPTICAL FEATURES

Light source	Other
<b>Other</b>	
Packaging dimensions	77.0mm x 25.0mm x 123.0mm
Shipping weight	0.07kg
Tariff code	85365019

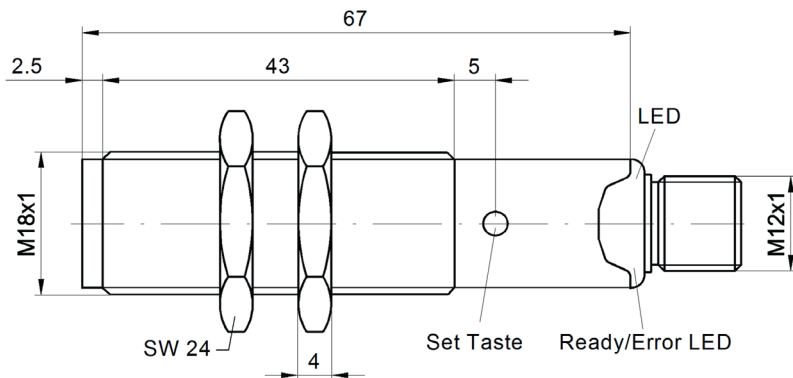
## Classification

ipf product group	102
eClass 8.0	27270908
eClass 9.0	27270908
eClass 9.1	27270908
ETIM-5.0	EC001822
ETIM-6.0	EC001822
ETIM-7.0	EC001822

## Connection



## Dimensional drawing



## Installation



Mounting / installation may only be carried out by a qualified electrician!

## Disposal



## Software

Please download the software or driver required for operating your new device on our homepage: [www.ipf.de](http://www.ipf.de)

## Safety warnings

Before initial operation, please make sure to follow all safety instructions that may be provided in the product information. Never use these devices in applications where the safety of a person depends on their functionality. LED lighting systems can generate intensive UV radiation, which can damage your eyes in case of improper use. The manufacturer cannot be

held responsible for damages that result from improper use or connection.