

Manual

FV 56 59 08

/ Useable

- as overflow protection in container with combustible or not combustible water endangering liquids
- as dry run protection for pumps
- for two-position-control in plants

/ Measuring range adjustable up to 8MΩ resp. 0,125μS/cm

/ Different configurable switching delays

/ Wide range power supply from 20 to 253V AC and DC



Index

Application	2
Function	2 / 3 / 4
Safety notes	4
Installation	4
Maintenance.....	5
Repair	5
Electrical Connection	5 / 6
Operation and display	6 / 7
Technical Data	8 / 9

Application

The filling level limit switch FV565908 is used, to evaluate one or two filling levels resp. limit levels in electrically conductive liquids with a conductivity of minimum $0,125\mu\text{S}/\text{cm}$ resp. a resistance of maximum $8\text{M}\Omega$.

The device is also useable as overflow protection in containers with liquids, for the realization of a two-position-control e.g. for pump control or also as dry run protection e.g. for pumps.

Function

Measuring principle

The signal circuit of the filling level limit switch is connected to the reference electrode or the metallic wall of the container resp. pipe and to the measuring electrode.

The alternating voltage, that is generated by the integrated electronic is then applied either between the electrode rods or between the electrode rods and the metallic wall of the container resp. pipe that is connected to the metallic process connection, realizing the reference electrode.

Due to the use of an alternating voltage the corrosion at the electrode rod and the electrolytic decomposition of the filling liquid is avoided.

As soon as the electrically conductive liquid makes a connection between the electrodes resp. between the electrode and the metallic wall of the container resp. pipe, an alternating current flows, that causes a decrease of the alternating voltage.

Signal evaluation

An evaluation circuit supervises this alternating voltage. A voltage drop is detected and the evaluation circuit switches the relay resp. relays, depending on the set safety function.

The switching state of the relays is indicated at the front side of the device by two yellow LED's.

Function supervision

The filling level limit switch is equipped with a function supervision.

A function fail is indicated at the front side of the device by a red LED and deactivates the error indication relay and a possibly activated output relay S1.

A fail is indicated, if the voltage at the signal input CH1 is too high.

This can happen e.g. at:

- Break of the signal line to the measuring transducer
- defect of the measuring transducer electronic, that is used for line monitoring

A line monitoring is realized by electrode probes with an additional electronic module.

The line monitoring is activated or deactivated by a switch at the front side of the device.

At line monitoring there is no indication of the switching state of the output relay S2 by the LED S2.

Switching delay

In some applications it is necessary to compensate heavy signal fluctuations that may be produced by mixing machines or at fill-in resp. emptying of containers, to avoid spurious switching actions.

Two switches at the front side of the device allows the configuration of a switching delay of 0.5 / 3 / 5 / 8s.

This delay time effects both channels separately, at activation and deactivation of the filling level relays.

Sensitivity range

The device can be adjusted in the resistance range 0 to $8\text{M}\Omega$. Within this range a fine adjustment can be carried out by a trimmer at the front side of the device.

Configuration of the second output relay S2

The second output relay can be configured in three operation modes:

- 2nd filling level relay to electrode at CH1 (relay switches like filling level relay S1 – parallel mode)
- Filling level relay to electrode at CH2 (two channel mode: CH1 to S1 / CH2 to S2)

Safety function

The safety function defines the operation principle of the output relays

- Maximum safety: The relay switches off, if the switching level is transgressed (liquid connection between measuring and reference electrode), an error occurs or the power supply fails.
- Minimum safety: The relay switches off, if the switching level is underrun (no liquid connection between measuring and reference electrode), an error occurs or the power supply fails.

	minimum safety			maximum safety		
	output relay S1	output relay S2	LED	output relay S1	output relay S2	LED
			<ul style="list-style-type: none"> ● yellow S2 ● yellow S1 ● red ☀ green 			<ul style="list-style-type: none"> ☀ yellow S2 ☀ yellow S1 ● red ☀ green
			<ul style="list-style-type: none"> ☀ yellow S2 ● yellow S1 ● red ☀ green 			<ul style="list-style-type: none"> ● yellow S2 ☀ yellow S1 ● red ☀ green
			<ul style="list-style-type: none"> ☀ yellow S2 ☀ yellow S1 ● red ☀ green 			<ul style="list-style-type: none"> ● yellow S2 ● yellow S1 ● red ☀ green

For the function two-position-control the safety function must be set identically for both channels, CH1 and CH2.

This can be carried out by two switches, one per channel, at the front side of the filling level limit switch.

Two-position-control Δs (pump control)

The activation of the two-position-control is made by a switch at the front of the device.

Two-position-control with minimum safety at parallel mode relay S1 and S2

Two-position-control with maximum safety at parallel mode relay S1 and S2

filling level	output relay S1	output relay S2	LED			
			green	red	yellow S1	yellow S2
			☀	●	●	●
			☀	●	●	●
			☀	●	☀	☀
			☀	●	☀	☀
			☀	●	●	●

filling level	output relay S1	output relay S2	LED			
			green	red	yellow S1	yellow S2
			☀	●	☀	☀
			☀	●	☀	☀
			☀	●	●	●
			☀	●	●	●
			☀	●	☀	☀

Safety notes

Each person that is engaged with inauguration and operation of this device, must have read and understood this technical manual and especially the safety notes



Installation, electrical connection, inauguration and operation of the device must be made by a qualified employee according to the information in this technical manual and the relevant standards and rules.

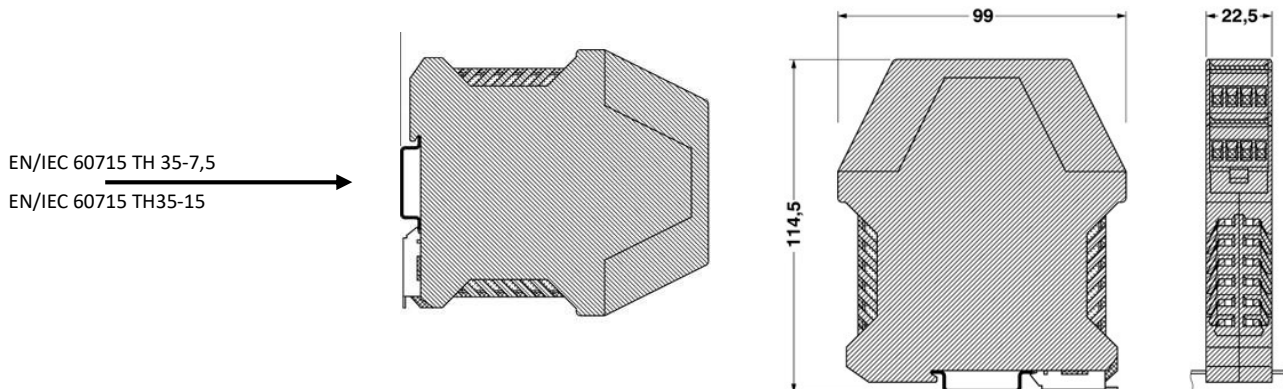
This device may only be used within the permitted operation limits that are listed in this technical manual. Every use besides these limits as agreed can lead to serious dangers.

The device meets the legal requirements of all relevant EC directives.



Installation

The filling level limit switch is conceived for vertical installation on a standard fastening rail acc. to EN/IEC 60715 TH 35-7,5 resp. EN/IEC 60715 TH35-15.



The device must be installed protected against dust and humidity, e.g. in control stations or in a suitable protection housing with a minimum protection classification IP55 acc. to EN/IEC 60529.

The devices must be installed weather and stroke protected, ideally at places without direct solar radiation. This is especially important in warm climatic regions.

Maintenance

The device is free of maintenance.

Repair

A repair may only be carried out by the manufacturer. When sending back the device, add a note with the description of the error and the application.

Electrical Connection

The electrical connection of the device must be carried out according to the respective country specific standards. Incorrect installation or adjustment could cause applicationally conditioned risks.

Power supply input, measuring input and relay output channels are safe galvanically isolated from each other. This is also valid for both relay output channels among each other.

Connection of the signaling transmitter resp. measuring transducer – measuring inputs

For the two or three-wire connection cable between the filling level limit switch and the signaling transmitter resp. measuring transducer a standard installation cable or multi-wire cable for measuring intends with a maximum of 25Ω per wire can be used.

The use of a shielded signal cable is not required in principle, but is recommended, if strong electromagnetic influences could happens, e.g. due to machines or radio equipment. In that case the shielding of the cable should be connected to earth only at the side of signaling transmitter resp. measuring transducer.

The signal cable should be installed separated from power leading wires.

If more than two limit levels with the same reference potential should be evaluated, several filling level limit switches could be connected in parallel. For this purpose only the reference connection of all devices must be connected with each other (see scheme below - right).

Connection of the signaling and control equipments – relay outputs

Inductive loads at the relay contacts, e.g. auxiliary contactors or magnetic vents may only be used with a free-wheeling diode or a RC protection circuit to avoid high voltage peaks.

For inauguration it is suggested, to deactivate all connected control devices, to avoid unwanted control reactions.

Connection of the power supply voltage

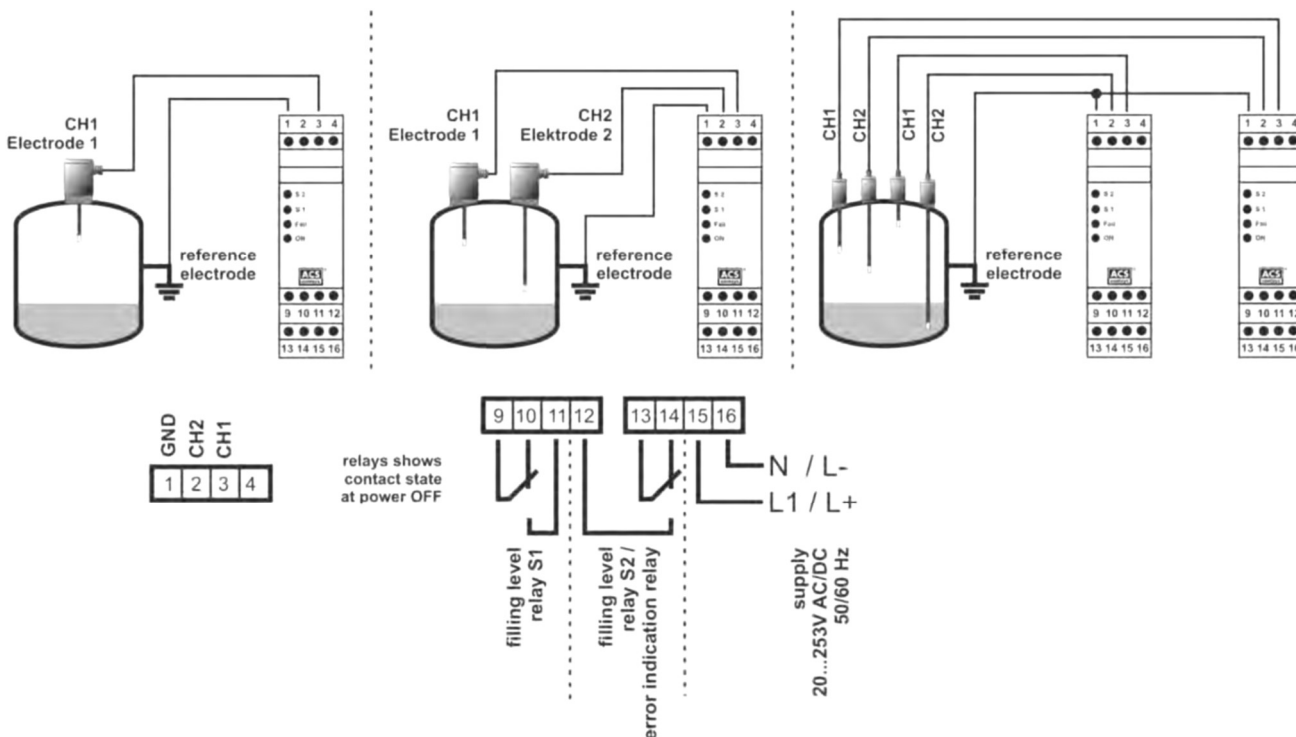
Due to the integrated wide range power supply, for connection to supply voltages from 20...253V AC / DC, the filling level limit switch is suitable for using in all common energy supply networks.

A switch, that is marked as separator as well as an over current protection switch (nominal current ≤ 10A) must be installed near the device into the supply lead.

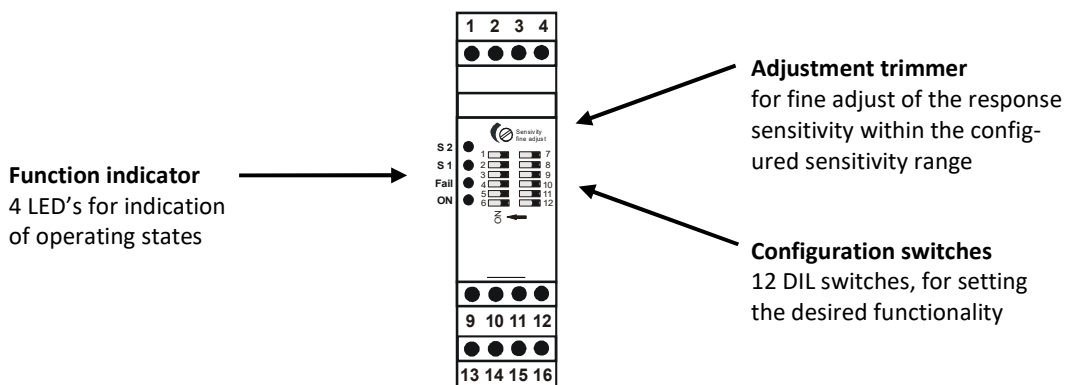
Single channel operation with

**two channel operation
resp.
two-position-control Δs**

**four channel operation with resp. without
by parallel connection of two
filling level limit switches FV565908**



Operation and display elements



Function indicator

- ON → green LED → ready status, power supply voltage on
- FAIL → red LED → error indication, line monitoring at CH1 detects error
- S1 → yellow LED → output relay S1 switched on
- S2 → yellow LED → output relay S2 switched on (not at function line monitoring)

Adjustment trimmer

For fine adjustment of the response sensitivity within the configured sensitivity range, set by switches 1, 2 and 3.

A turn to the right leads to a switching reaction at a higher liquid resistance.

For adjustment proceed like follows:

- Liquid must create an electrically conductive connection between measuring and reference electrode of the connected measuring transducer
- Turn adjustment trimmer to the left (counterclockwise), till the output relays switches off
- Turn adjustment trimmer to the right (clockwise), till the output relay switches on
- Turn adjustment trimmer by an additional half turn to the right (clockwise)

Configuration switches

Switch 1, 2, 3 → no function

switch	switching state
1	OFF
2	OFF
3	OFF

Switch 4 → function output relay S1

switch	switching state ON	switching state OFF
4	two-position-control Δs	limit level function

Switch 5 → safety function channel 1 (CH1)

switch	switching state ON	switching state OFF
5	minimum safety	maximum safety

Switch 6 → safety function channel 2 (CH2)

switch	switching state ON	switching state OFF
6	minimum safety	maximum safety

Switch 7 → no function

Switch 8, 9 → time delay for both channels CH1 / CH2

switching state S8	switching state S9	time delay
ON	ON	0,5 seconds
OFF	ON	3 seconds
ON	OFF	5 seconds
OFF	OFF	8 seconds

Switch 10, 11, 12 → configuration output relay S2

S 10	S 11	S 12	function output relay S2
OFF	OFF	ON	2nd filling level relay at CH1 (maximum electrode) – parallel mode
ON	OFF	OFF	filling level relay at CH2 (minimum electrode) – two channel mode
OFF	OFF	OFF	output relay S2 deactive

Technical data

Auxiliary power supply

Permitted supply voltage: 20 ... 253V AC / DC 48 ... 62 Hz reverse polarity protected
 Power consumption: ≤ 3,5VA / 2W
 Overvoltage category: II acc. to EN 61010
 Protection classification: II double or reinforced insulation
 Isolation voltage: 4kV~ auxiliary power to relay outputs to signal inputs
 Galvanic isolation: All supply, input and output channels among each other as well as both relay outputs from each other are safe galvanically isolated.
 At simultaneous connection to functional low voltage of power supply circuit or the contacts of the error indication relay, the safe galvanically isolation is guaranteed up to a voltage of 150 VAC.

Relay outputs

Function: 2x potential-free changeover contact
 Switching power of the contacts: U~ maximum 253V AC
 I~ maximum 10A AC
 P~ maximum 2500VA at ohmic load / 500VA at $\cos \geq 0,7$

at U-	maximum I-	maximum P-
30 V	10 A	300 W
110 V	0,3 A	33 W
220 V	0,12 A	26,4 W

Switching cycles: ≥ 100.000 switching cycles at maximum contact load

Signal inputs

Level transducer: one resp. tow filling level electrodes with common reference electrode
 Supply voltage: ≤ ± 10V (90Hz ± 15Hz)
 Supply current: ≤ ± 1mA
 Measuring range: ≤ 8MΩ resp. ≥ 0,125μS/cm
 Line monitoring: only at level resp. measuring transducer with built-in modul LBM

Materials

Connection housing: PA – polyamide
 Terminal housing: PA – polyamide
 Sticker: PE – polyester

Connection terminals

Number: 3 terminal blocks with each 4 terminals, everlasting screws
 Connection cross section: maximum 1 x 2,5mm² or 2 x 1,5mm²

Housing style

Housing: Series installation housing, 22,5mm wide
 Weight: 145 g

Environmental conditions

Environmental temperature: single installation – 40°C ... +85°C
 series installation – 40°C ... +70°C
 protective housing – 40°C ... +50°C

climatic classification: 3K3 resp. 3M2 (DIN EN 60721-3-3)

Protection classification: IP20 (EN 60529)

EM – compatibility: emission (DIN EN 61326) operation device class B
 immunity (DIN EN 61326) industrial range