



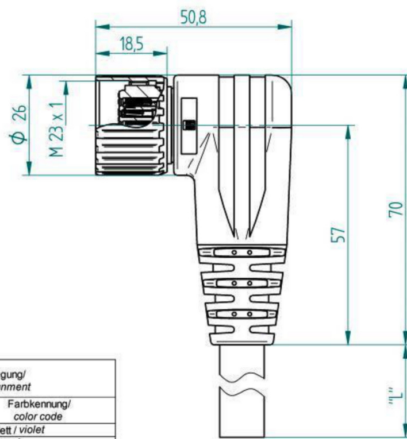
Part Number: RKWU 19-S4740

M23 Power Single-Ended Cordset: Female, angled, 19-pin, yellow body, 120 V AC/DC, 16x8 A + 3x10 A; TPE yellow cable, 16x0.5 mm² + 3x1.0 mm²

Product Description

M23 Power Single-Ended Cordset: Female, angled, 19-pin, yellow body, 120 V AC/DC, 16x8 A + 3x10 A; TPE yellow cable, 16x0.5 mm² + 3x1.0 mm²

Technical Drawing



Typ/ type	Kontaktbelegung/ contact assignment	
	Poizahl/ number of poles	Farbkennung/ color code
RKWU 19		1 = violett / violet
		2 = rot / red
		3 = grau / grey
		4 = rot-blau / red-blue
		5 = grün / green
		6 = blau / blue
		7 = grau-rosa / grey-pink
		8 = weiß-grün / white-green
		9 = weiß-gelb / white-yellow
		10 = grau-weiß / grey-white
		11 = schwarz / black
		12 = grün-gelb / green-yellow
		13 = gelb-braun / yellow-brown
		14 = braun-grün / brown-green
		15 = weiß / white
		16 = gelb / yellow
		17 = rosa / pink
		18 = grau-braun / grey-brown
		19 = braun / brown

Technical Specifications

Technical Data

Product Family:	Power Connector
Product Sub Family:	M23 Power
Brand:	Lumberg Automation
Connector Type:	Cordset, single ended
Type of Contact / Gender:	female
Connector Design:	angled
Number of Pins:	19
Shielding:	Unshielded
Attachment Type:	Coupling Nut
Rated Voltage:	125 V
Rated Impulse Voltage:	1.5 kV
Operating Voltage:	120 V AC/DC
Rated Current:	16 x 8 A (pin-Ø 1 mm), 3 x 10 A (contact-Ø 1.5 mm)
Insulation Resistance:	> 10 ⁹ Ohm
Mating Cycles:	≤ 100

Ambient Temperature (Operation):	-25°C to +80°C
Protection Degree / IP Rating:	IP67
Pollution Degree:	3 acc. to DIN EN 60664-1 (VDE 0110-1)
Clearance / Creepage Distance:	acc. to DIN EN 60664-1 (VDE 0110-1)
Overvoltage Category:	II acc. to DIN EN 60664-1 (VDE 0110-1)

Materials

Contact Base Material:	16 x CuSn/3 x CuZn
Contact Plating:	Cu/Au
Contact Bearer Material:	PA 66
Contact Bearer Color:	black
Flammability Class (Contact Bearer):	UL 94-HB
Molded Body Material:	TPU
Molded Body Color:	yellow
Flammability Class (Molded Body):	UL 94-HB
Attachment Material:	CuZn, nickel-plated
O-Ring Material:	FKM

Cable Data

Cable Number:	S4740
Conductor Size:	16x0.5mm ² + 3x1.0 mm ²
Number of Wires:	19
Minimal Bending Radius (Fixed Inst):	> 5 x D
Minimal Bending Radius (Flexible Inst):	> 10 x D
Conductor material:	Cu
Cable Jacket Material:	TPE
Cable Jacket Color:	yellow
Cable Diameter D:	Ø 11.60 ±0.30 mm
Wire Insulation Material:	PP
Insulated Wire Diameter:	16x Ø1.45 mm + 3x Ø1.95 mm
Ambient Temperature (Fixed Installation):	-25°C to +80°C
Ambient Temperature (Flex Installation):	-5°C to +80°C
UL Cable Type:	AWM: 20841

Safety & Environmental Compliance

RoHS Compliant:	yes
-----------------	-----

Notes

Protection Degree / IP Rating Note:	* only if mounted and locked in combination with Hirschmann / Lumberg connector.
Note Derating:	* Notice derating
Note:	Do not connect / disconnect under load.
Particularities:	When the connector is unlocked and in risk of pollution the connector has to be covered with a protective cap ≥ IP54.

Variants

Item #	Item Description	Cable Length
6712	RKWU 19-S4740/5 M	5 m
6872	RKWU 19-S4740/10 M	10 m
6711	RKWU 19-S4740/15 M	15 m

© 2019 Belden, Inc

All Rights Reserved.

Although Belden makes every reasonable effort to ensure their accuracy at the time of this publication, information and specifications described here in are subject to error or omission and to change without notice, and the listing of such information and specifications does not ensure product availability.

Belden provides the information and specifications herein on an "ASIS" basis, with no representations or warranties, whether express, statutory or implied. In no event will Belden be liable for any damages (including consequential, indirect, incidental, special, punitive, or exemplary damages) whatsoever, even if Belden has been advised of the possibility of such damages, whether in an action under contract, negligence or any other theory, arising out of or in connection with the use, or inability to use, the information or specifications described herein.

All sales of Belden products are subject to Belden's standard terms and conditions of sale.

Belden believes this product to be in compliance with all applicable environmental programs as listed in the data sheet. The information provided is correct to the best of Belden's knowledge, information and belief at the date of its publication. This information is designed only as a general guide for the safe handling, storage, and any other operation of the product itself or the one that it becomes a part of. The Product Disclosure is not to be considered a warranty or quality specification. Regulatory information is for guidance purposes only. Product users are responsible for determining the applicability of legislation and regulations based on their individual usage of the product.