

## AE000045

### Accessories • Mounting

Accessories mounting, holder, plastic, 43x22x15mm, packaging unit 2 pieces, for EY000003 and EY000004



The EY000003 and EY000004 lights can be securely attached with this holder. The design of the holder also prevents the cable outlet from kinking.

#### Mechanical features

Width	22.25 mm
Height	15.5 mm
Length	43 mm
Material	Plastic (PA)
ardSOCA_Abmessungen	43x22.25x15.5mm

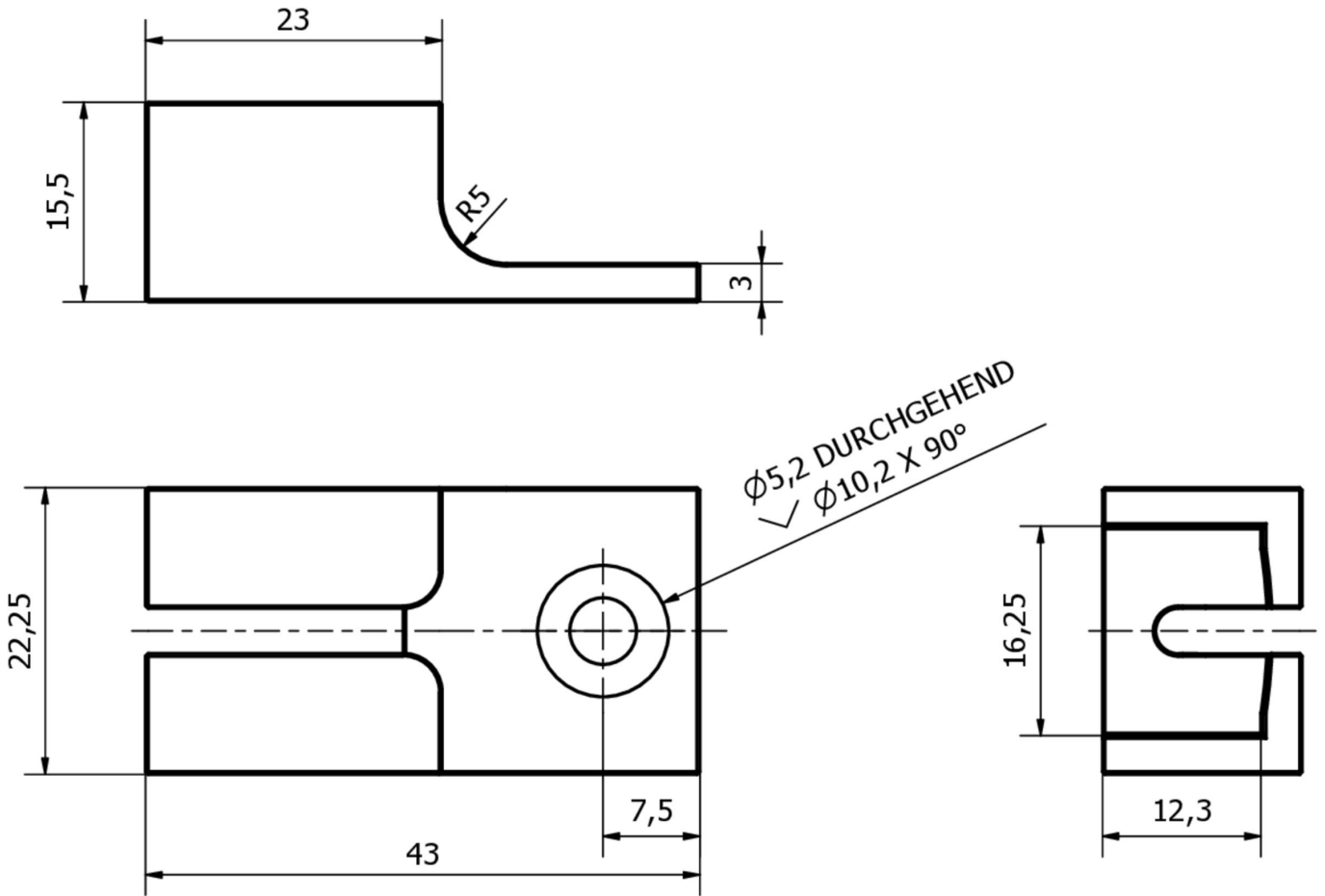
#### Classification

ETIM 8
--------

#### More

IPF Product Group	900 accessories
packaging dimensions	120 x 100 x 20 mm
gross weight	10 g
Customs tariff number	39269097
WEEE number	40951076
Reach-compliant	Yes
RoHS-compliant	Yes

**Dimensional drawing**



**Installation**

Mounting / installation may only be carried out by a qualified electrician!



**Disposal**

WEEE number according to § 6 para. 3  
ElektroG: 40951076

**Safety warnings**

- / Before initial operation, please make sure to follow all safety instructions that may be provided in the product information.
- / Never use these devices in applications where the safety of a person depends on their functionality.