

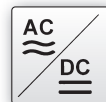
dimensions 72 x 72 x 133mm

turn-on delay  
turn-off delay

- ✓ LED display, 4-digit, 14mm high
- ✓ delays and elapsed-time counter (quartz time base)
- ✓ programmable forward/backwards counting
- ✓ 1 preset, 2 relays (1 “instantaneous change-over contact” programmable)
- ✓ start input, stop input
- ✓ auxiliary voltage 12V DC, 30mA, with AC operation
- ✓ 8 adjustable time ranges from 0.01s to 999.9h
- ✓ retention time 5 years
- ✓ external reset



**elapsed-time counter with 1 preset potential-free relay outputs**



**description**

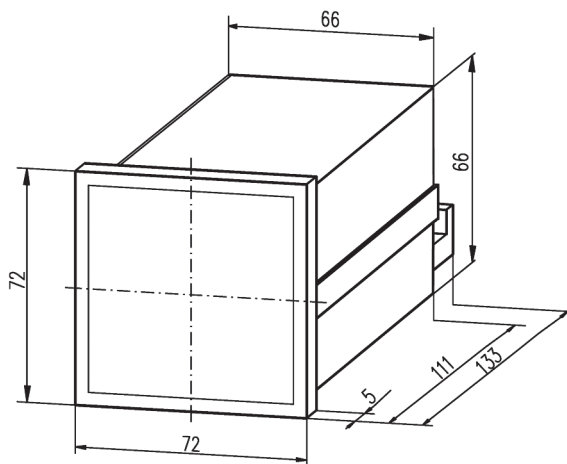
The elapsed-time counters of model series **CZ04** with LED display can be used in any situation where times need to be recorded and displayed. The two integrated potential-free relays are actuated by a preset timer, which is adjusted using decade switches. 8 different time ranges are available, covering a total range of 0.01 s to 999.9h. The 14mm high LED display has 4 digits. The time can be counted both forwards and backwards. The “instantaneous contact” function can be selected for relay 2. The **CZ04** can be operated with both 24V DC and also 230V

AC. When operating with 230V AC, an auxiliary voltage of 12V DC is available at terminal 7. The device has storage that can be switched on if the power fails. In switch position S4 ON, the device will always continue at the interrupted location in the chronological and functional sequence when the supply voltage is switched on again.

**application examples**

- ▶ Time delay relay with delayed switch-off
- ▶ Time delay relay with delayed switch-on

article-no.	CZ044410
version	elapsed-time counter
function	programmable forwards, backwards
output	2x relay change-over contact, 250V/6A



**TECHNICAL DATA**

function	programmable forwards, backwards
output	2x relay change-over contact, 250V/6A
operating voltage	230V AC / 110V AC / 24V DC
power consumption	3VA / 180mA at 24V DC
readiness delay	< 50ms
time adjustment	0.01s ... 999.9h, subdivided into 8 levels
display	7 segment LED, 4 decades, 14mm high
display (counter reading)	9999
dimensions	72x72x133mm
housing	switch panel housing 72x72mm in accordance with DIN 43700
housing material	plastic
installation depth	approx. 133mm
operating temperature	-20 ... +70°C
degree of protection (EN 60529)	housing IP40 / terminals IP20
connection (terminals)	12-pin screw terminal strip
mounting	front frame with screw-on mounting
accessories	<b>AV000003</b> , lockable cover

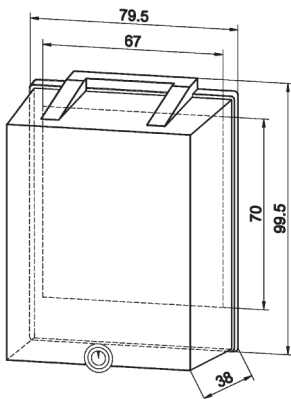
connection

terminal	CZ044410
1	relay1 center contact
2	operating voltage (U <sub>B</sub> ) e.g. 230V AC
3	relay1 make contact
4	relay1 break contact
5	external reset (Preset) pnp
6	start, stop input pnp
7	UB +24V DC (terminals 2 + 10 not assigned!) auxiliary voltage +12V DC, 30mA max. (only with AC operation)
8	relay2 center contact (instant or delayed)
9	relay2 make contact (instant or delayed)
10	operating voltage (U <sub>B</sub> ) 230V AC
11	relay2 break contact (instant or delayed)
12	0V DC (minus for UB 24V DC and auxiliary voltage)

programming the DIP switches CZ044410

	s1	s2	s3	s4
on	relay2 instant	turn-off delay	forwards	storage
off	relay2 delayed	turn-on delay	backwards	power reset

accessories **AV000003** lockable cover



This data sheet contains only the available standard versions.

You will receive operating instructions upon delivery of the devices. These explain the functions and programming of the elapsed-time counter in detail.

**Warning:** Never use these devices in applications where the safety of a person depends on their functionality.

This data sheet as well as your personal contact can be found at [www.ipf-electronic.com](http://www.ipf-electronic.com)



