

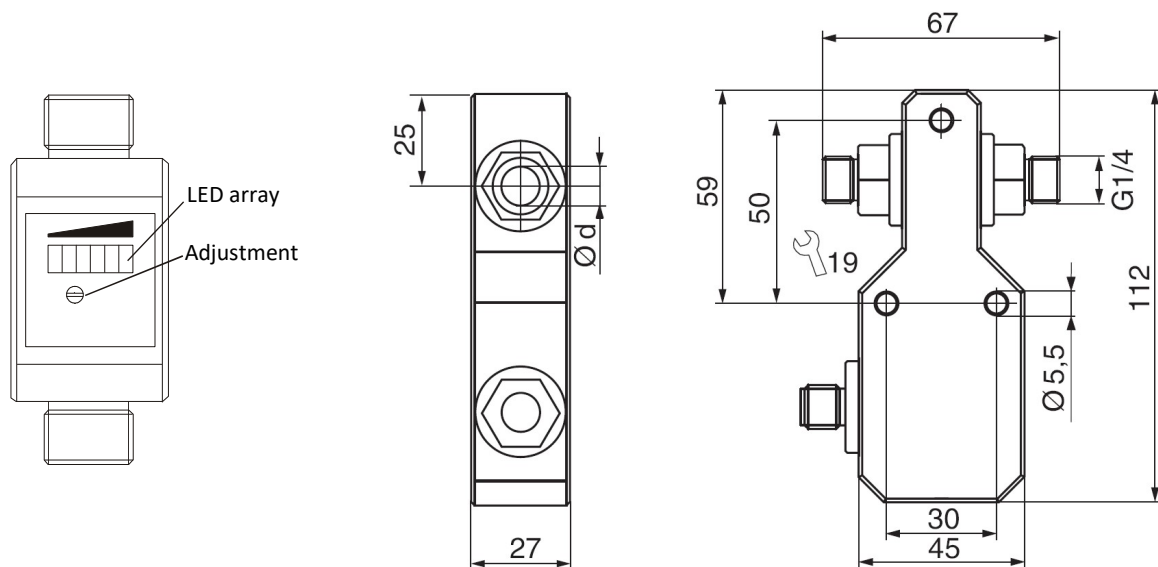
SS270120 / SS270123



Technical Data

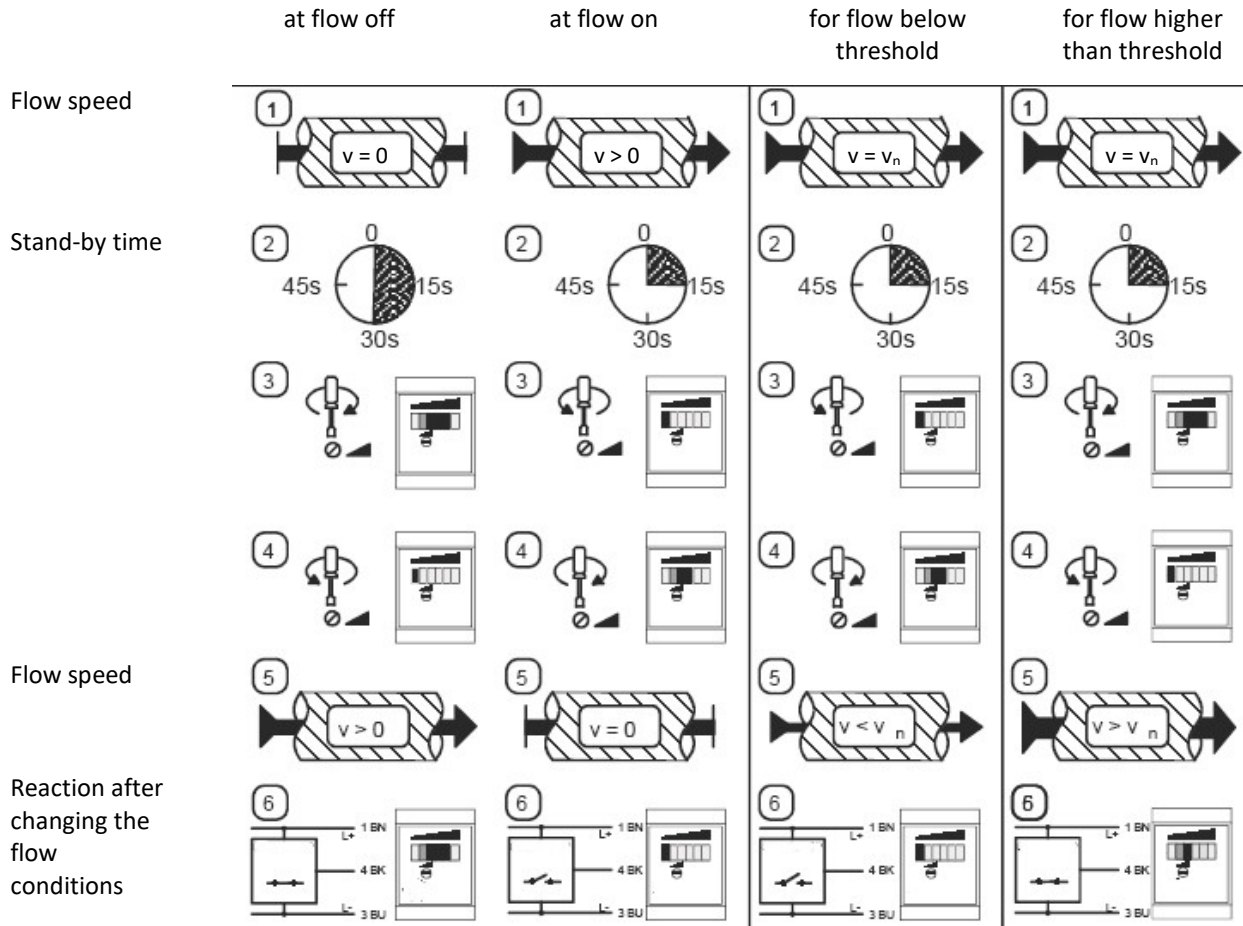
material (housing)	PBT
material (sensing element)	stainless steel 1.4571
degree of protection (EN 60529)	IP67
operating voltage	24V DC ± 10%
output current (max. load)	200mA
temperature gradient	400K/min
operating temperature	0 ... +60°C
temperature (medium)	0 ... +80°C
readiness delay	5 ... 15s
measuring time	0.5 ... 1s
mechanical connection	G1/4
switching output	PNP, no
display flow	LED-array
pressure resistance	20 bar
connection	M12 – connector
connection accessories	e.g. VK200025

dimensional drawing



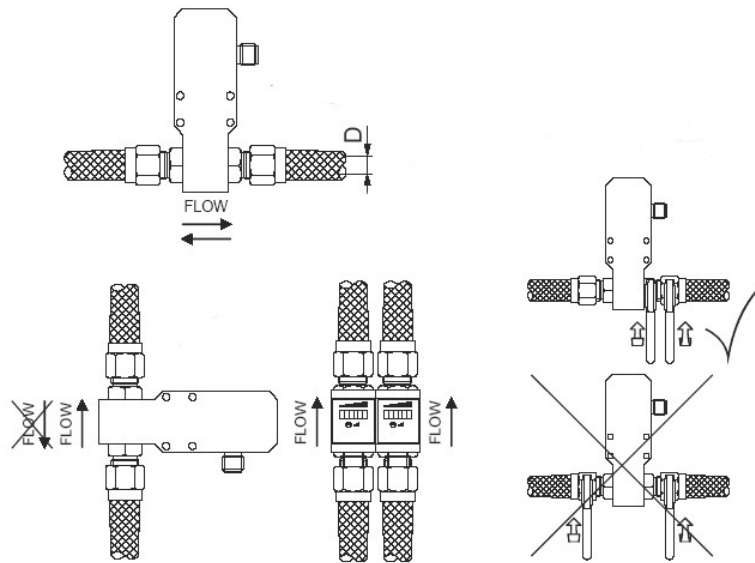
The nominal flow speed V_n must be in the detection range

Adjustment:

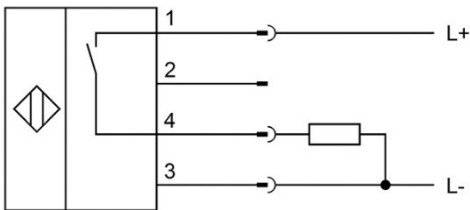


LED-Display	
red	Flow has been interrupted or the flow rate has fallen below the specified value. The switching output is not active.
yellow	The set flow rate has been reached, the switching output is active.
green	The set flow rate has been exceeded. The number of luminous LED shows the flow reserve.

installation considering flow direction



electrical connection



Colors: 1 = bn (brown), 2 = wh (white), 4 = bk (black), 3 = bu (blue)
Functions: 1 = L+, 2 = n.c., 4 = PNP NO, 3 = L-

article-no.	inner diameter	detection range	working range	max. flow	temperature gradient	Output
SS270120	4mm	0.001...1l/min	0.015...1l/min	300l/h	400K/min (>0.1 l/min)	PNP, no
SS270123	9mm	0.01...6l/min	0.1...6l/min	1800l/h	400K/min (>0.5 l/min)	PNP, no

SAFETY WARNINGS:

Before initial operation, please make sure to follow all safety instructions that may be provided in the product information!

Never use these articles in applications where the safety of a person depends on their functionality.