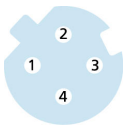
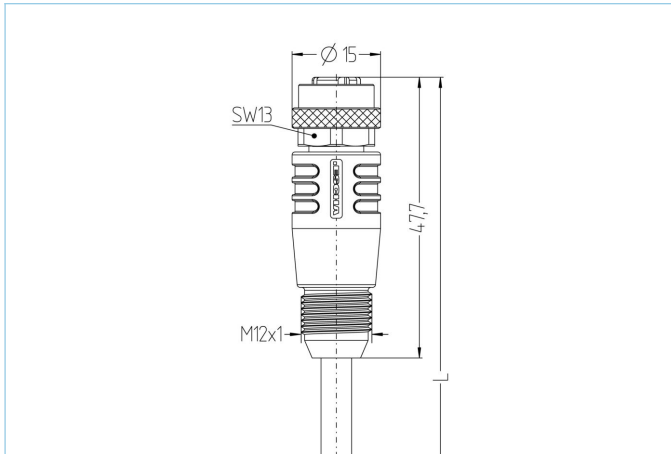


M12, female, straight, 4 poles, D-coded, grip body with thread, shielded, rail approved



| Product data                   |  |
|--------------------------------|--|
| Item description               | RA-WAKSGY4.029-5/S4003                       |
| Item-No.                       | 8079379                                      |
| Length                         | 5m   |
| Customs tariff-No.             | 85444290                                     |
| Step-File                      | RA-WAKSGY4-L.stp                             |
| EAN                            | 4047106229498                                |
| Technical data                 |  |
| Connector                      | female, straight, M12, grip body with thread |
| Number of pins                 | 4  |
| Pin assignment                 | 1 YE, 2 WH, 3 OG, 4 BU                       |
| Coding                         | D  |
| Rated voltage                  | 250V   |
| Current load per pin (at 40°C) | 4A   |
| Insulation resistance          | ≥10 <sup>9</sup> Ω                           |
| Resistance                     | ≤ 5mΩ  |
| Transmission features          | Cat5e  |
| Contact material               | Metal, CuZn, gold-plated                     |
| Contact-carrier material       | Plastic, PA, BK                              |
| Grip body material             | Plastic, TPU, BK                             |
| Coupling nut material          | Metal, CuZn, nickel-plated                   |
| Sealing (female) material      | FPM/FKM                                      |
| Shielding                      | with shielding                               |
| Standards                      | IEC 61076-2-101                              |
| Mechanical life-cycle          | >100 mating cycles                           |
| Cable end assembly             | open cable end                               |
| Degree of pollution            | 3  |
| Style                          | straight                                     |

### Advanced technical data rail approved

|                                |  |
|--------------------------------|--|
| Standards                      | DIN EN 50155, DIN EN 45545-2               |
| Shock & vibration              | Class 1, Category B (DIN EN 61373)         |
| Degree of protection (mounted) | IP67 (-30°C...+90°C), IP65 (-40°C...+90°C) |
| Temperature range              | Tx (-40°C...+90°C)                         |
| Fire prevention according to   | DIN EN 45545-2 HL1-3                       |

### Cable web **Cat5, RADOX®, 1x4xAWG22, S4003**

Halogen-free, electron-beam cross-linked Cat5-cable with improved fire performance. This cable can be used for fixed and protected installation inside of rail vehicles and busses and fulfills the requirements according to EN 45545-2 (HL1 - HL3). It is optimally suited for all Ethernet applications of classes D (ECN) according to IEEE 802.3. For installation the guidelines of EN 50355 and EN 50343 must be considered. Due to its big diameter, this cable is predestined for robust applications. RADOX® is a registered trademark of HUBER+SUHNER AG, Switzerland.

|                              |   |
|------------------------------|---|
| Outer diameter of jacket     | 7.25 mm   |
| Cable-jacket material        | RADOX® EM 104   |
| Jacket color                 | BK  |
| Wire cross-section           | 1 x 4 x AWG22, star quad  |
| Wire insulation material     | RADOX® COM  |
| Wire colors                  | WH, BU, OG, YE  |
| Bending radius (fixed)       | 6xØ cable   |
| Bending radius (repeated)    | 10xØ cable  |
| Temperature range (fixed)    | -50°C...+90°C   |
| Fire prevention according to | DIN EN 45545-2 HL1-3, DIN 5510 fire prevention-levels 1-4, NF F16-101 category A1, A2, B, UNI CEI 11170, danger level LR1-LR4, NFPA 130, UN ECE R 118 |
| Shielding                    | Yes   |
| Halogen-free                 | Yes   |
| Transmission features        | Cat5e   |
| Special features             | increased thermal load, flame retardant, low emission of smoke, halogen free, oil- and fuel resistant, RoHs compliant                                 |

### Classification

|            |          |
|------------|----------|
| eCl@ss 6.0 | 27060307 |
| eCl@ss 7.0 | 27060307 |
| eCl@ss 8.0 | 27060307 |
| eCl@ss 9.0 | 27060307 |
| ETIM 5.0   | EC000830 |
| ETIM 6.0   | EC000830 |

### Accessories

Torque-wrench set  
<https://www.escha.net/en/products/standard/accessories-for-connectivity/8055431>

Cable Stripping Tool  
<https://www.escha.net/en/products/standard/accessories-for-connectivity/8066215>

Mounting-clip, M12  
<https://www.escha.net/en/products/standard/accessories-for-connectivity/8047660>

Safety-clip, M12

Adapter piece, M12  
<https://www.escha.net/en/products/standard/accessories-for-connectivity/8081747>

Protective hose  
<https://www.escha.net/en/products/standard/accessories-for-connectivity/8081621>

Screw plug, M12  
<https://www.escha.net/en/products/standard/accessories-for-connectivity?p=1&o=3&n=15&f=812>

Mounting-set, M12  
<https://www.escha.net/en/products/standard/accessories-for-connectivity/8047664>

## Link to product

<https://www.escha.net/en/products/standard/connectors-for-bus-and-rail/8079379>