

IN850420

INDUCTIVE SENSORS • NORM SWITCHING DISTANCE

Inductive proximity switches are contact-free sensors. They detect all conductive metals, regardless of whether they move or not. The achievable sensing range of the devices depends on the object material and its dimensions. The vibration-resistant sensors can be approached laterally or frontally. Inductive proximity switches are used for presence detection (e.g. goods carriers), positioning (e.g. dampers), counting (e.g. nuts /bolts), speed detection (e.g. for cog wheels), on conveyor systems (e.g. hose feedings) or distance measurements (e.g. press-in checking) of metallic objects.



MECHANICAL DATA

Active area material of sensor	PBT
Ambient temperature (MAX)	75 °C
Ambient temperature (MIN)	-25 °C
Degree of protection (IP)	IP67
Housing design	Cylinder plain
Housing material	Aluminum / PTB
Mechanical mounting condition for sensor	Non-flush
Pressure-proof	No
Sensor diameter	200 mm
Sensor length	60 mm

ELECTRICAL DATA

Cascadable	No
Correction factor (aluminum)	0.4
Correction factor (brass)	0.4
Correction factor (copper)	0.3
Correction factor (St37)	1
Correction factor (stainl. steel)	0.7
Max. output current	400 mA
No-load current	4 mA
Number of pins	4
Reverse polarity protection	Yes
Short-circuit-proof	Yes
Suitable for safety functions	No
Supply voltage (MAX)	55 V
Supply voltage (MIN)	10 V
Switching distance	140 mm
Switching frequency	20 Hz
Type of electrical connection	Connector M12
Type of switching function	Anticoincidence
Type of switching output	PNP

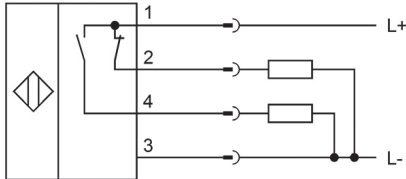
ELECTRICAL DATA

Voltage drop	2 V
Voltage type	DC
With LED display	Yes
With monitoring function of downstream devices	No

OTHER DATA

Areas inquiry	Yes
---------------	-----

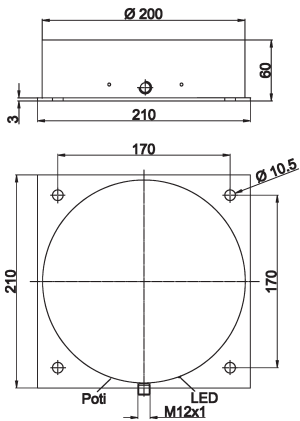
CONNECTION



Colors: 1 = BN (brown), 2 = WH (white), 3 = BU (blue), 4 = BK (black)

Functions: 1 = L+, 2 = PNP NC, 3 = L-, 4 = PNP NO

DIMENSIONAL DRAWING



INSTALLATION



Mounting / Installation may only be carried out by a qualified electrician!

DISPOSAL



SAFETY WARNINGS

Before initial operation, please make sure to follow all safety instructions that may be provided in the product information!

Never use these devices in applications where the safety of a person depends on their functionality.