

AY000030

ACCESSORIES • HOLDERS FOR STOP TAPPETS



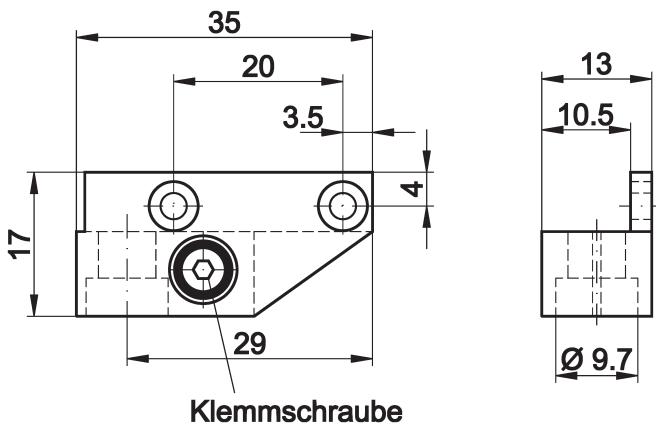
MECHANICAL DATA

Height	14 mm
Length	17 mm
Material	Aluminium
Mounting type	Screw
Number of boreholes	3
Thread pitch	0.5 mm
Thread size, metric	3
Version	Mounting angle bracket
Weight	9 kg
Width	35 mm

OTHER DATA

Scope of delivery	Mounting material for sensor, brackets
-------------------	--

DIMENSIONAL DRAWING



INSTALLATION

DISPOSAL



Mounting / Installation may only be carried out by a qualified electrician!



SAFETY WARNINGS

Before initial operation, please make sure to follow all safety instructions that may be provided in the product information!

Never use these devices in applications where the safety of a person depends on their functionality.