

capacitive sensors

PRODUCT: capacitive proximity switch
flush, for aqueous media

dimensions: 34x16x8mm

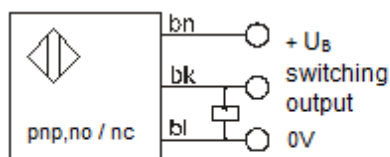
- robust plastic housing
- flush mountable
- self-adapting
- short-circuit and reverse polarity protected
- LED-display
- connection via cable

Technical Data

KB98A579 / KB98A791

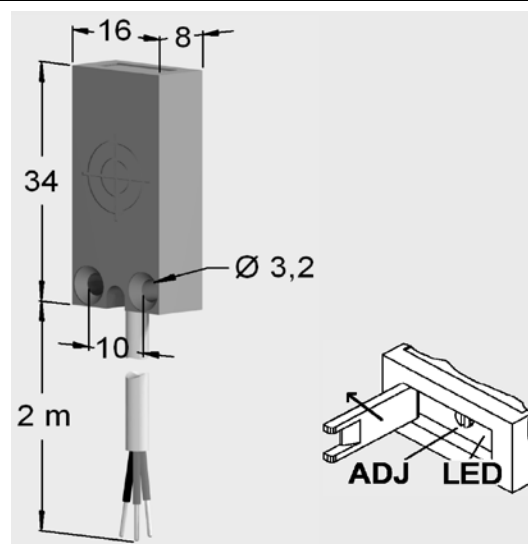
operating voltage	12 ... 30V DC, short-circuit and reverse polarity protected
no-load current	≤ 10mA
switching output	see list of articles
voltage drop (max. load)	1.5V
output current (max. load)	50mA
switching frequency	2Hz
nominal switching distance S_n	self-adapting, max. 8mm
repeat accuracy	≤ 5%
power-on delay time	<100ms
housing material	PP
ambient temperature	-30 ... +70°C
switching state display	LED yellow
protection class	IP67 acc. EN 60529
electrical connection	2m PUR-cable, 3x0.14mm ²

pin configuration

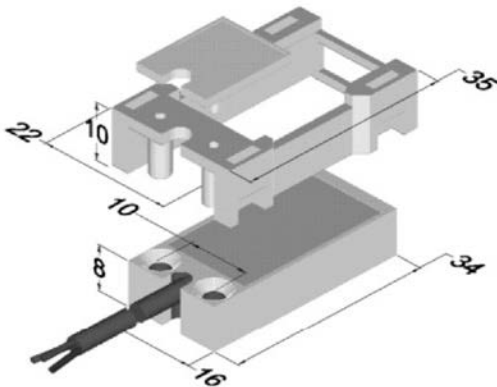


bn=brown. bk=black. bl=blue

dimensional drawing



base plate and use of labeling plate for tank assembly



mounting with cable straps on pipes and tanks up to 50mm diameter



mounting with rubber ring on tubes and pipes ≥ 50 mm diameter



list of articles:

switching output pnp, no: **KB 98 A5 79**

switching output pnp, nc: **KB 98 A7 91**

Warning: Never use these articles in applications where the safety of a person depends on their functionality.