

OW800572

OPTICAL SENSORS • ANGULAR LIGHT BARRIERS

Special design of through-beam sensor. Transmitter and receiver are located in the fork or angular limbs and are perfectly aligned to each other.



MECHANICAL DATA

| | |
|---|----------------|
| Ambient temperature (MAX) | 60 °C |
| Ambient temperature (MIN) | -25 °C |
| Degree of protection (IP) | IP67 |
| Fork light barrier design | Angular shaped |
| Fork width | 100 mm |
| Housing design | Cuboid |
| Housing material | Zinc die-cast |
| Material of optical surface | Glass |
| Reflector included in the scope of delivery | No |
| Sensor height | 105 mm |
| Sensor length | 10 mm |
| Sensor width | 105 mm |

ELECTRICAL DATA

| | |
|--|---------|
| Analogue output 0 mA ... 20 mA | No |
| Analogue output 0 V ... 10 V | No |
| Analogue output -10 V ... +10 V | No |
| Analogue output 4 mA ... 20 mA | No |
| Decay time | 0.1 ms |
| Hysteresis | 0.25 mm |
| IO-Link compatible | Yes |
| Max. output current | 100 mA |
| Max. switching distance | 100 mm |
| No-load current | 30 mA |
| Number of pins | 3 |
| Operating voltage (MAX) | 30 V |
| Operating voltage (MIN) | 10 V |
| Pre-failure message | No |
| Rated control supply voltage U_s at DC (MAX) | 30 V |
| Rated control supply voltage U_s at DC (MIN) | 10 V |
| Relative repeat accuracy | 0.02 mm |

ELECTRICAL DATA

| | |
|--|---|
| Repeatability +/- | 20 µm |
| Response time | 0.1 ms |
| Reverse polarity protection | Yes |
| Scanning function | Light-/dark-on mode |
| Setting procedure | Manual adjustment |
| Short-circuit-proof | Yes |
| Suitable for safety functions | No |
| Switching frequency | 5000 Hz |
| Type of electrical connection | Connector M8 |
| Type of switching function | Normally closed contact/normally open contact |
| Type of switching output | PNP/NPN |
| Type of the forked light barrier | Standard |
| Voltage drop | 1 V |
| Voltage type | DC |
| With communication interface, analog | No |
| With communication interface, AS-Interface | No |
| With communication interface, CANOpen | No |
| With communication interface, DeviceNet | No |
| With communication interface, Ethernet | No |
| With communication interface, INTERBUS | No |
| With communication interface, PROFIBUS | No |
| With communication interface, RS-232 | No |
| With communication interface, RS-422 | No |
| With communication interface, RS-485 | No |
| With communication interface, SSD | No |
| With communication interface, SSI | No |
| With monitoring function of downstream devices | No |
| With other analog output | No |
| With restart lock | No |
| With time function | No |

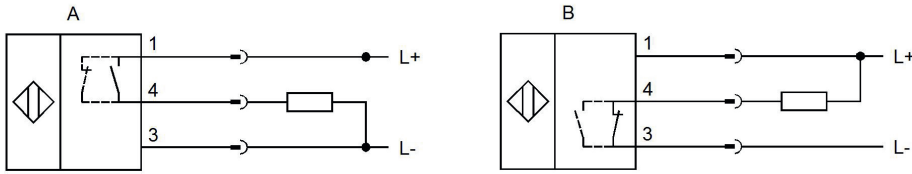
OPTICAL DATA

| | |
|--------------------------|-------------------------|
| Laser protection class | None |
| Light beam form | Point |
| Light source | Polarity free red light |
| Min. object size | 0.3 mm |
| Resolution | 300 µm |
| Wavelength of the sensor | 660 nm |

OTHER DATA

| | |
|--------------------|-----|
| Feeding technology | Yes |
|--------------------|-----|

CONNECTION

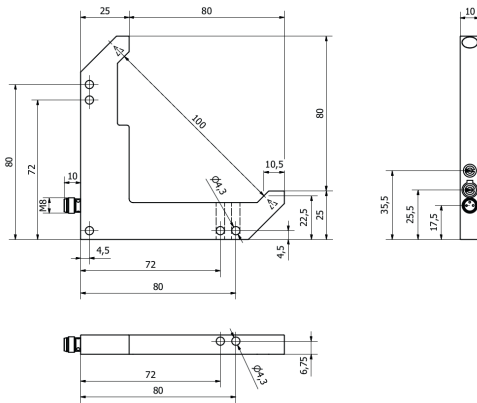


Colors: A: 1 = BN (brown), 3 = BU (blue), 4 = BK (black)

B: 1 = BN (brown), 3 = BU (blue), 4 = BK (black) **Functions:** A: 1 = L+, 3 = L-, 4 = PNP NO/NC

B: 1 = L+, 3 = L-, 4 = NPN NC/NO

DIMENSIONAL DRAWING



INSTALLATION



Mounting / Installation may only be carried out by a qualified electrician!

DISPOSAL



SAFETY WARNINGS

Before initial operation, please make sure to follow all safety instructions that may be provided in the product information!

Never use these devices in applications where the safety of a person depends on their functionality.