



SERIE E58 TS ANA

HOLLOW SHAFT ABSOLUTE SINGLETURN ENCODER

- Analog output
- Resolution up to 12 bits
- External diameter 58 mm
- Hollow shaft \varnothing 21 mm
- Protection class IP54 according to DIN EN 60529
- Anti-rotation system through flexible flange
- Connection by cable (other cable length available)



Magnetic Encoder



Absolute Encoder



Analog output



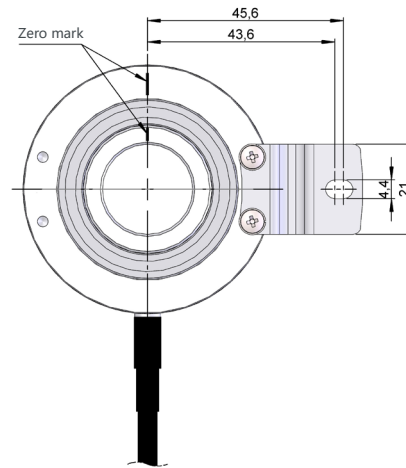
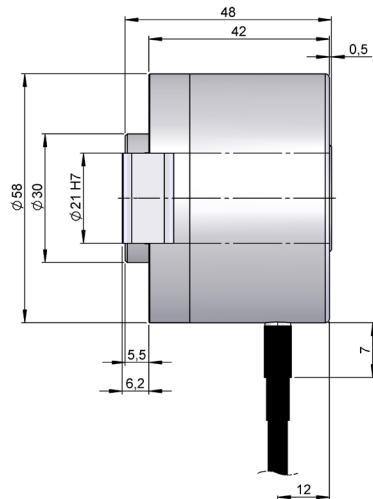
Vibration and shock resistant



IP54



Express Delivery



Drawing anti-rotation system type 2, hollow shaft type 21, connection type 2

REFERENCE

Reference example: E58TS-ANA-12126-10360

Serie	Interface	Anti-rotation system	Hollow shaft	Connection	Interface / Supply Voltage	Resolution	Measuring range	Special customer
E58TS -	ANA -	<input type="checkbox"/>	<input type="checkbox"/>	<input type="checkbox"/>	<input type="checkbox"/>	<input type="checkbox"/>	<input type="checkbox"/>	<input type="checkbox"/>
	ANA. Analog	1. None 2. Flexible flange (90.1025) (*)	21. \varnothing 21 mm	2. Radial cable	6. 4-20 mA, 7-30V 7. 0-10V, 12-30V 8. 0-5V, 7-30V	10. 10 bits 12. 12 bits	360. 360° electrical	

Order your reference Step file 3D

info@encoderhohner.com

service available in 24 h

(*) Anti-rotation system type 2 (flexible flange 90.1025) is supplied disassembled and includes the screws required for assembly.



SERIE E58 TS ANA

HOLLOW SHAFT ABSOLUTE SINGLETURN ENCODER


MECHANICAL SPECIFICATIONS

Materials	Cover: Aluminium Housing: Aluminium Shaft: Stainless Steel
Bearings	Ballraces
Bearings lifetime	1x10 ¹⁰ rev.
Permitted misalignment	±0,5 mm axial, ±0,2 mm radial (90.1025)
Shaft fixing	Frontal setscrews
Hollow shaft diameter	21 mm
Maximum number of revolutions permitted mechanically	6000 rpm
Protection against dust and splashes according to DIN EN 60529	IP54
Rotor inertia moment	300 gcm ²
Starting torque at 20°C (68°F)	≤ 0.04 Nm
Maximum load permitted on axial shaft	100 N
Maximum load permitted on radial shaft	200 N
Weight aprox.	0.3 Kg
Operating temperature range	-20°C to +85°C
Vibration according to DIN EN 60068-2-6	100 m/s ² (10Hz...2000Hz)
Shock according to DIN EN 60068-2-27	1000 m/s ² (6ms)
Radial connection	2 meters cable (other cable lengths available on order)

ELECTRICAL SPECIFICATIONS

Interface	Analog	
Electronic output	4..20mA, 0..5V	0..10V
Power supply (VDC)	7-30V	12-30V
Consumption	≤ 150 mA	
Resolution	up to 12 bits	
Range	360° electrical	
Max. Frequency	20 kHz	
Short circuit protection	Yes	
Protection polarity inversion	Yes	

CONNECTION

	
	Cable 5x0.14 95.0008051
GND	Yellow (YE)
+UB	White (WH)
I+ / V+	Brown (BN)
I- / V-	Green (GN)
Shield	Green (GN) - Yellow (YE)