

AY000056

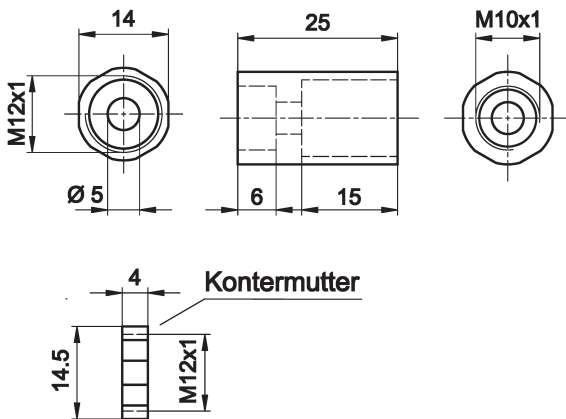
ACCESSORIES • HOLDERS FOR STOP TAPPETS



MECHANICAL DATA

Housing material	Stainless steel
Thread size, metric	12
Type of mechanical accessories	Holder

DIMENSIONAL DRAWING



INSTALLATION



Mounting / Installation may only be carried out by a qualified electrician!

DISPOSAL



SAFETY WARNINGS

Before initial operation, please make sure to follow all safety instructions that may be provided in the product information!

Never use these devices in applications where the safety of a person depends on their functionality.