

article number **IB25C130**

design 50 x 25 x 10

sensing range flush 6mm

- ✓ housing made of PA 6.6
- ✓ LED display
- ✓ short-circuit and reverse polarity protection
- ✓ 2m PVC-cable



standard inductive sensor with LED display and 2m PVC-cable



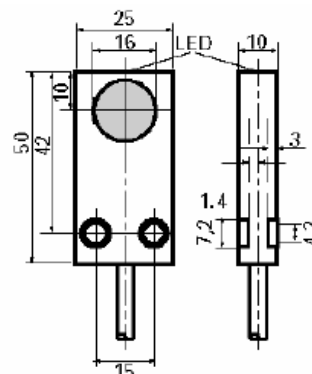
technical data

sensing range S_n	6mm
mounting	flush
operating voltage U_B	10 ... 30V DC
max. current	200mA
switching frequency	800Hz
status display	LED
degree of protection (EN 60529)	IP67
ambient temperature	-25 °C ... +70 °C
residual ripple	≤ 10%
voltage drop	≤ 2.4V
hysteresis	≤ 15%
short-circuit protection	+
reverse polarity protection	+
temperature drift	≤ 10%
repeatability	≤ 2%
housing material	PA 6.6
output function	PNP, no
connection	2m PVC-cable

electrical connection



dimensional drawing



Warning: Never use these devices in applications where the safety of a person depends on their functionality.