

AY000050

ACCESSORIES • MOUNTING



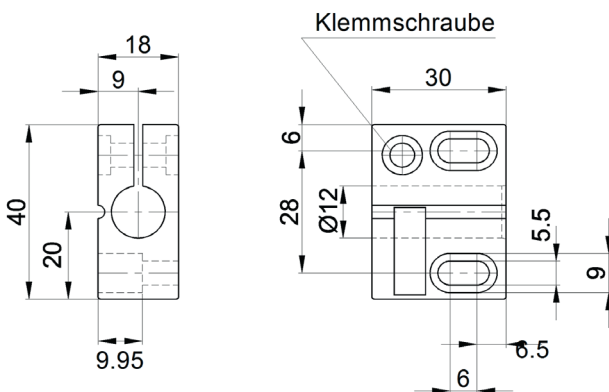
MECHANICAL DATA

For sensor	IV000305
Material	Plastic
Material quality	Polyamide PA
Mounting type	Screw mounting
Nominal diameter	12 mm
To fix to	Wall mounting
With positive stop	Yes

OTHER DATA

Suitable for fire protection areas	No
------------------------------------	----

DIMENSIONAL DRAWING



INSTALLATION

DISPOSAL



Mounting / Installation may only be carried out by a qualified electrician!

**SAFETY WARNINGS**

Before initial operation, please make sure to follow all safety instructions that may be provided in the product information!

Never use these devices in applications where the safety of a person depends on their functionality.