

MZ150156**MAGNETIC SENSORS • SENSORS FOR PNEUMATIC CYLINDERS**

For many tasks in the field of automation technology, it is necessary to recognize the motional processes in pneumatic and hydraulic cylinders and to detect the position of the piston with precision. For this, magnetic cylinder sensors are used.

**MECHANICAL DATA**

Ambient temperature (MAX)	130 °C
Ambient temperature (MIN)	-25 °C
Cable length	0.6 m
Degree of protection (IP)	IP67
Housing design	Cuboid
Housing material	Aluminium
Increased ambient temperatures > 80°C	Yes
Material of cable sheath	Teflon
Metal housing	Yes
Mounting access, cylinder groove	From the top
Sensor height	4.5 mm
Sensor length	16.5 mm
Sensor surface position	Center of the device
Sensor width	11.8 mm
Strong vibration / motion	Yes
Version	Trapezoidal groove

ELECTRICAL DATA

Cross/short circuit identification possible	Yes
Hysteresis	1 mm
Low sensitivity	No
Low switching hysteresis	Yes
Magnetic sensitivity	2.8 mT
Max. output current	150 mA
No-load current	15 mA
Number of pins	3
Number of switching outputs	1
Operating voltage (MAX)	30 V
Operating voltage (MIN)	10 V
Reed contact	No
Relative repeat accuracy	0.1 mm

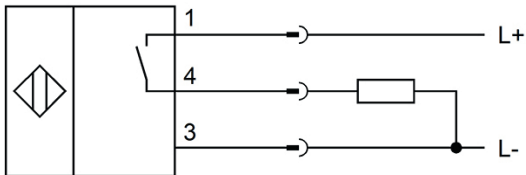
ELECTRICAL DATA

Reverse polarity protection	Yes
Sensor surface (active)	Middle area
Setting via teach-in	No
Short-circuit-proof	Yes
Suitable for safety functions	No
Switching frequency	1000 Hz
Two switching points	No
Type of electrical connection	Cable connector M8
Type of switching function	Normally open contact
Type of switching output	PNP
Voltage drop	2 V
Voltage type	DC
With LED display	Yes
With monitoring function of downstream devices	No

OTHER DATA

Cylinder sensors	Yes
Harsh environmental conditions	Yes
Metallic sensor surface	No
Oil and cooling lubricants	Yes
Short travel path	No

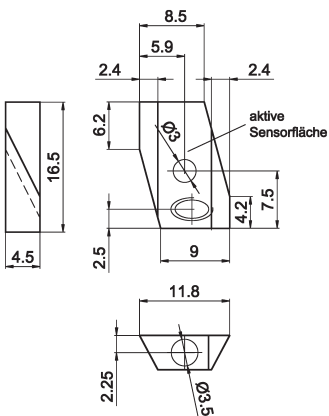
CONNECTION



Colors: 1 = BN (brown), 3 = BU (blue), 4 = BK (black)

Functions: 1 = L+, 3 = L-, 4 = PNP NO

DIMENSIONAL DRAWING



INSTALLATION

DISPOSAL



Mounting / Installation may only be carried out by a qualified electrician!



SAFETY WARNINGS

Before initial operation, please make sure to follow all safety instructions that may be provided in the product information!

Never use these devices in applications where the safety of a person depends on their functionality.