

**AY000152**

**ACCESSORIES • MOUNTING**



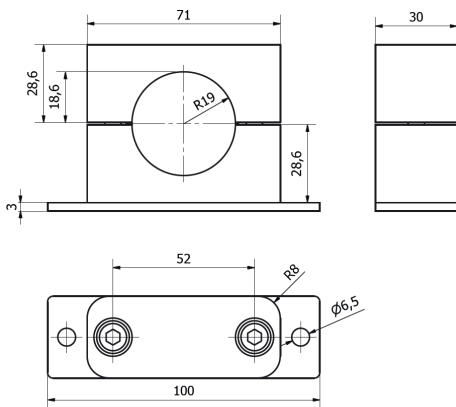
**MECHANICAL DATA**

For sensor	IV001227
Material	Plastic
Mounting type	Screw mounting
Nominal diameter	38 mm
To fix to	Wall mounting

**OTHER DATA**

Suitable for fire protection areas	No
------------------------------------	----

**DIMENSIONAL DRAWING**



**INSTALLATION**



Mounting / Installation may only be carried out by a qualified electrician!

**DISPOSAL**



**SAFETY WARNINGS**

Before initial operation, please make sure to follow all safety instructions that may be provided in the product information!

Never use these devices in applications where the safety of a person depends on their functionality.