

EAKF0102

LED-LIGHTS • WORKPLACE LIGHTS

LED lights are required in nearly every industrial sector. A lighting coordinated on the respective workplace ensures a better visibility, increases the production quality, the working safety and helps additionally to save energy costs. Their long lifetime, which is independent of switching cycles, reduces maintenance costs and increases the availability. LED lights are used for the illumination of workplaces, work areas of machines, control cabinets and several other fields of application.



MECHANICAL FEATURES

Ambient temperature	-10 °C ... 40 °C
Degree of protection (IP)	IP40
Diameter	234 mm
Front screen material	PMMA clear
Housing design	Special construction
Housing material	Aluminum
Length	1766 mm
Light head material	Plastic
Type of lamp stand	Table clamp

ELECTRICAL FEATURES

Control unit included	-
Dimmable	+
Lamp power	18 W
Luminous flux	2000 lm
Max. current consumption	750 mA
Nominal supply voltage	24 V ... 24 V
On/Off switch	+
Protection class	III
Type of electrical connection	Cable connector M12
Voltage type	DC

OPTICAL FEATURES

Color temperature	5700 K
Radiation angle	120 °
Lamp	LED
Light source	Cold white
With lamp	+
Number of LEDs	42
Illuminance at 500mm distance	500 lx
Light version	Workplace light

OTHER FEATURES

Risk groups	0
-------------	---

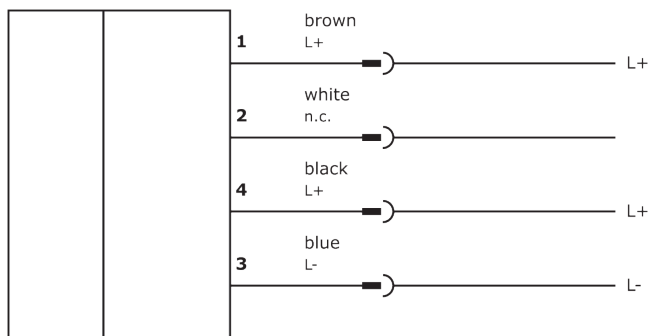
Other

Packaging dimensions	460mm x 110mm x 1200mm
Shipping weight	4.45kg
Tariff code	94054099

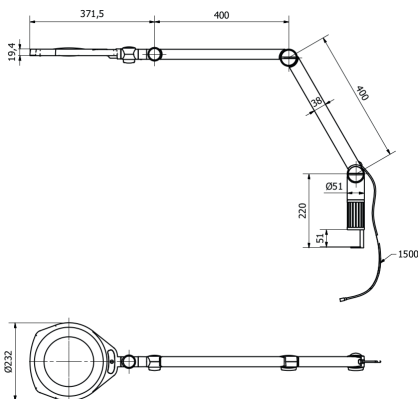
Classification

ipf product group	190
eClass 8.0	27119010
eClass 9.0	27110345
eClass 9.1	27110345
ETIM-5.0	EC000348
ETIM-6.0	
ETIM-7.0	EC000348

Connection



Dimensional drawing



Installation



Mounting / installation may only be carried out by a qualified electrician!

Disposal



Software

Please download the software or driver required for operating your new device on our homepage: www.ipf.de

Safety warnings

Before initial operation, please make sure to follow all safety instructions that may be provided in the product information. Never use these devices in applications where the safety of a person depends on their functionality. LED lighting systems can generate intensive UV radiation, which can damage your eyes in case of improper use. The manufacturer cannot be held responsible for damages that result from improper use or connection.

