

AO000045

ACCESSORIES • MOUNTING



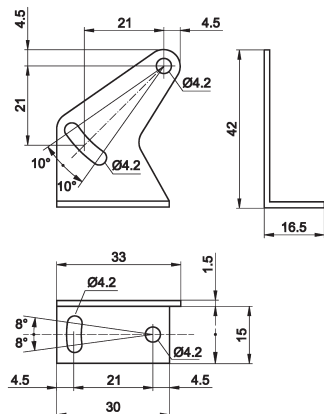
MECHANICAL DATA

Angle	90 °
Diameter/width of the fastening holes for sensor	4.2 mm
Diameter/width of the fastening holes for sensor	4.2 mm
Height	16.5 mm
Length	15 mm
Material	Steel
Mounting type	Screw
Number of boreholes	2
Number of oblong holes	2
Surface	Zinc coated
Version	Mounting angle bracket
Weight	20 kg
Width	42 mm

OTHER DATA

Scope of delivery	Mounting material for sensor, brackets
-------------------	--

DIMENSIONAL DRAWING



INSTALLATION



Mounting / Installation may only be carried out by a qualified electrician!

DISPOSAL



SAFETY WARNINGS

Before initial operation, please make sure to follow all safety instructions that may be provided in the product information!

Never use these devices in applications where the safety of a person depends on their functionality.