

**IN406040**

**INDUCTIVE SENSORS • ENLARGED AMBIENT TEMPERATURE**

Inductive proximity switches are contact-free sensors. They detect all conductive metals, regardless of whether they move or not. The achievable sensing range of the devices depends on the object material and its dimensions. The vibration-resistant sensors can be approached laterally or frontally. Inductive proximity switches are used for presence detection (e.g. goods carriers), positioning (e.g. dampers), counting (e.g. nuts /bolts), speed detection (e.g. for cog wheels), on conveyor systems (e.g. hose feedings) or distance measurements (e.g. press-in checking) of metallic objects.



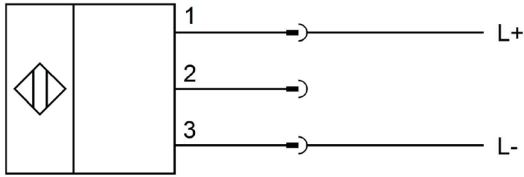
**MECHANICAL DATA**

Active area material of sensor	Vectra®
Ambient temperature (MAX)	230 °C
Degree of protection (IP)	IP50
Housing design	Cuboid
Housing material	Stainless steel 1.4305
Increased ambient temperatures > 80°C	Yes
Mechanical mounting condition for sensor	Non-flush
Pressure-proof	No
Sensor height	40 mm
Sensor length	66 mm
Sensor width	40 mm

**ELECTRICAL DATA**

Cascadable	No
Connection to amplifier	Yes
Correction factor (aluminum)	0.3
Correction factor (brass)	0.4
Correction factor (copper)	0.2
Correction factor (St37)	1
Correction factor (stainl. steel)	0.7
Hysteresis	15 %
IO-Link compatible	No
Suitable for safety functions	No
Switching distance	20 mm
Switching frequency	100 Hz
Type of electrical connection	Lemos-a-connector
Type of switching function	Amplifier
Type of switching output	Other
With monitoring function of downstream devices	No

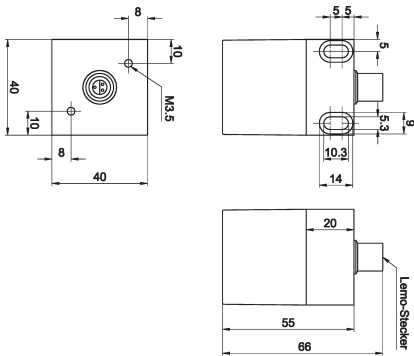
## CONNECTION



**Colors:** 1 = BN (brown), 3 = BK (black)

**Functions:** 1 = L+, 3 = L-

## DIMENSIONAL DRAWING



## INSTALLATION



Mounting / Installation may only be carried out by a qualified electrician!

## DISPOSAL



## SAFETY WARNINGS

Before initial operation, please make sure to follow all safety instructions that may be provided in the product information!