

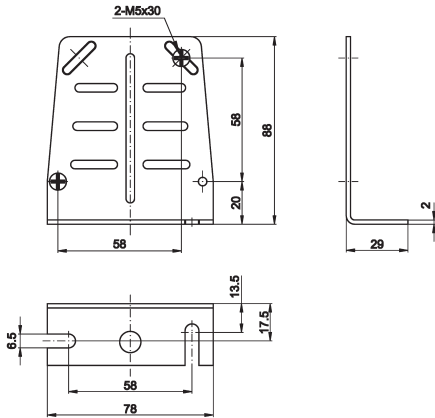
AO000038**ACCESSORIES • MOUNTING****MECHANICAL DATA**

Ambient temperature (MAX)	55 °C
Ambient temperature (MIN)	-20 °C
Angle	90 °
Depth	29 mm
Diameter/width of the fastening holes for sensor	5.2 mm
Diameter/width of the fastening holes for sensor	6.5 mm
Height	88 mm
Length	29 mm
Material	Steel
Mounting type	Screw
Number of boreholes	3
Number of oblong holes	12
Painting	Black
Surface	Varnished
Thread pitch	0.5 mm
Thread size, metric	5
Version	Mounting angle bracket
Weight	100 kg
Width	78 mm

OTHER DATA

Scope of delivery	Mounting material for sensor, brackets
-------------------	--

DIMENSIONAL DRAWING



INSTALLATION



Mounting / Installation may only be carried out by a qualified electrician!

DISPOSAL



SAFETY WARNINGS

Before initial operation, please make sure to follow all safety instructions that may be provided in the product information!

Never use these devices in applications where the safety of a person depends on their functionality.