

AO000249

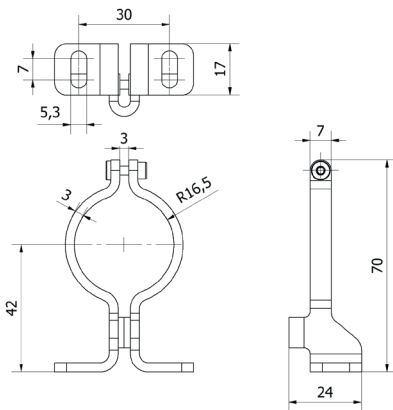
ACCESSORIES • MOUNTING



MECHANICAL DATA

Diameter/width of the fastening holes for sensor	4.6 mm
Diameter/width of the fastening holes for sensor	5.6 mm
Height	92.9 mm
Length	30 mm
Material	Steel
Mounting type	Screw
Number of boreholes	1
Number of oblong holes	2
Surface	Zinc coated
Version	Mounting angle bracket
Weight	180 kg
Width	56 mm

DIMENSIONAL DRAWING



INSTALLATION

DISPOSAL



Mounting / Installation may only be carried out by a qualified electrician!



SAFETY WARNINGS

Before initial operation, please make sure to follow all safety instructions that may be provided in the product information!