

## VK003071

### CONNECTION TECHNOLOGY • CABLE SOCKETS FIELD-ATTACHABLE

ipf cable sockets are used primarily for establishing the electrical connection of sensors. Their features are characterized by rugged design, the highest protection classes (IP67 | IP68 | IP69K) and, if desired, with 360° shielding. With the features: bus-ready, suitable for use with drag chains and robots, resistance to oil and chemicals, resistance to welding sparks, their resistance to cleaning agents or high-pressure and steam-jet cleaning, the expanded temperature range of up to +230°C, the rapid interconnection technology and special data transmission properties, the cable sockets meet all requirements in automation technology.



#### MECHANICAL DATA

Contact body material	CuSn
Contact coating material	Au
Degree of protection (IP)	IP67
Housing material	Brass
Number of wires	4
Perm. ambient temperature of cable, fixed cable (MAX)	85 °C
Perm. ambient temperature of cable, fixed cable (MIN)	-40 °C
Positioning of cable feed, field side	Angled
Suitable for trailing chain	Yes
Wire cross section	0.25 mm <sup>2</sup>

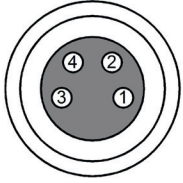
#### ELECTRICAL DATA

Number of pins	4
Rated current I <sub>n</sub>	4 A
Rated voltage	30 V
Suitable for self-assembly	Yes
Type of electrical connection, field side	M8
Type of plug-in contact, field side	Female (socket)

#### OTHER DATA

Flame resistant	No
IR-networked	No

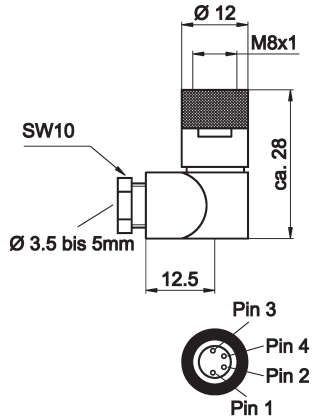
## CONNECTION



**Colors:** 1 = BN (brown), 2 = WH (white), 3 = BU (blue), 4 = BK (black)

**Functions:**

## DIMENSIONAL DRAWING



## INSTALLATION



Mounting / Installation may only be carried out by a qualified electrician!

## DISPOSAL



## SAFETY WARNINGS

Before initial operation, please make sure to follow all safety instructions that may be provided in the product information!

Never use these devices in applications where the safety of a person depends on their functionality.