

## AY000049

### ACCESSORIES • MOUNTING



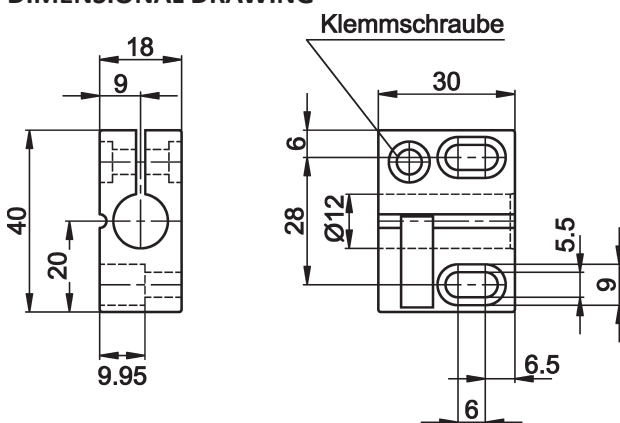
#### MECHANICAL DATA

For sensor	IV000305
Material	Plastic
Material quality	Polyamide PA
Mounting type	Screw mounting
Nominal diameter	12 mm
To fix to	Wall mounting

#### OTHER DATA

Suitable for fire protection areas	No
------------------------------------	----

#### DIMENSIONAL DRAWING



#### INSTALLATION



Mounting / Installation may only be carried out by a qualified electrician!

#### DISPOSAL



**SAFETY WARNINGS**

Before initial operation, please make sure to follow all safety instructions that may be provided in the product information!

Never use these devices in applications where the safety of a person depends on their functionality.