

AM000029

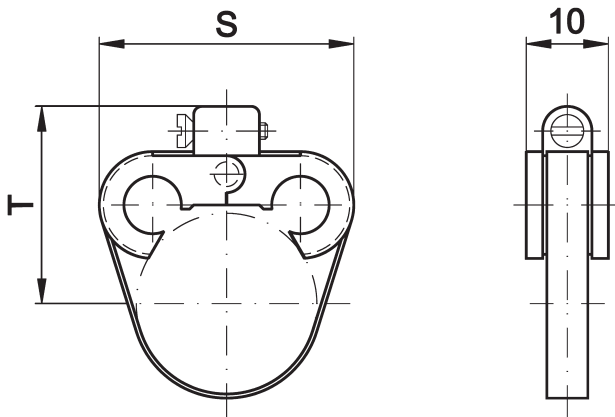
ACCESSORIES • MOUNTING



MECHANICAL DATA

Cylinder diameter	10.5 mm
Cylinder diameter	12.5 mm
For sensor	MZR9
Material	Stainless steel
Max. tightening torque	4 Nm
Surface	Untreated
Version	Plain
Width	5 mm

DIMENSIONAL DRAWING



INSTALLATION



Mounting / Installation may only be carried out by a qualified electrician!

DISPOSAL



SAFETY WARNINGS

Before initial operation, please make sure to follow all safety instructions that may be provided in the product information!

Never use these devices in applications where the safety of a person depends on their functionality.