

AO98E045

LED-LIGHTS • MACHINE AND BENCH LIGHTS

LED lights are required in nearly every industrial sector. A lighting coordinated on the respective workplace ensures a better visibility, increases the production quality, the working safety and helps additionally to safe energy costs. Their long lifetime, which is independent of switching cycles, reduces maintenance costs and increases the availability. LED lights are used for the illumination of workplaces, work areas of machines, control cabinets and several other fields of application.



MECHANICAL DATA

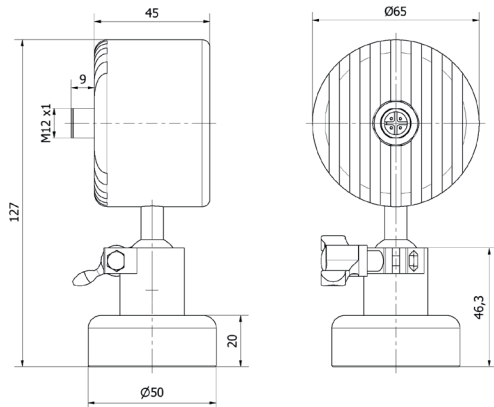
Ambient temperature (MAX)	40 °C
Ambient temperature (MIN)	-20 °C
Degree of protection (IP)	IP65
Diameter	65 mm
Front screen material	Borosilicate glass
Housing design	Special construction
Housing material	Aluminium
Length	127 mm
With magnetic foot	Yes

ELECTRICAL DATA

Lamp power	5 W
Max. current consumption	210 mA
Nominal supply voltage (MAX)	12 V
Nominal supply voltage (MIN)	12 V
Number of pins	4
On/Off switch	No
Reverse polarity protection	Yes
Type of electrical connection	Connector M12
Voltage type	DC

OPTICAL DATA

Light source	Cold white
Number of LEDs	3
Radiation angle	30 °

DIMENSIONAL DRAWING**INSTALLATION**

Mounting / Installation may only be carried out by a qualified electrician!

DISPOSAL**SAFETY WARNINGS**

Before initial operation, please make sure to follow all safety instructions that may be provided in the product information!

LED lighting systems can generate very intense radiation, which, if used improperly, can possibly damage the eyes. For damage caused by improper use or connection, the manufacturer cannot be held responsible.

Never use these devices in applications where the safety of a person depends on their functionality.