

AY000162

ACCESSORIES • MOUNTING

accessories, Magnet, Ø43mm, Neodymium-iron-boron, inner thread M5, Rubber



MECHANICAL FEATURES

Ambient temperature	-20 °C ... 80
Design	Round
Diameter	43 mm
Floor mounting possible	+
Housing material	Rubber
Metric thread size of internal hole	5
Mounting method	Structure
Number of mounting holes	2
Wall mounting	+

OTHER FEATURES

Type of accessory	Magnet
-------------------	--------

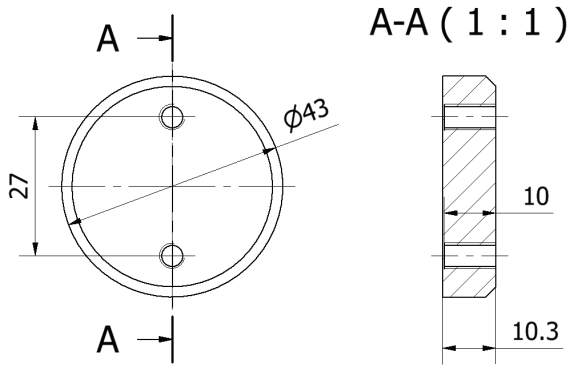
Other

Packaging dimensions	100mm x 0.0mm x 165.0mm
Shipping weight	0.04kg
Tariff code	85051100

Classification

ipf product group	900
eClass 8.0	27279202
eClass 9.0	27273701
eClass 9.1	27273701
ETIM-5.0	EC001769
ETIM-6.0	EC001769
ETIM-7.0	EC001769

Connection

Dimensional drawing**Installation**

Mounting / installation may only be carried out by a qualified electrician!

Disposal**Safety warnings**

Before initial operation, please make sure to follow all safety instructions that may be provided in the product information. Never use these devices in applications where the safety of a person depends on their functionality. LED lighting systems can generate intensive UV radiation, which can damage your eyes in case of improper use. The manufacturer cannot be held responsible for damages that result from improper use or connection.