

AP000031

ACCESSORIES • MOUNTING



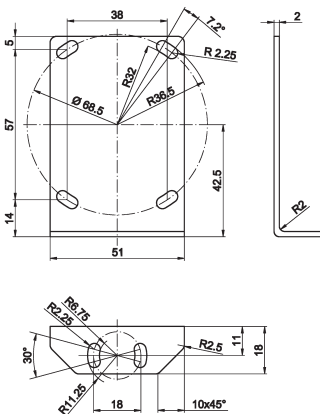
MECHANICAL DATA

Diameter/width of the fastening holes for sensor	4.5 mm
Diameter/width of the fastening holes for sensor	4.5 mm
Height	51 mm
Length	18 mm
Material	Steel
Mounting type	Clampable
Number of oblong holes	6
Surface	Zinc coated
Version	Mounting angle bracket
Weight	67 kg
Width	76 mm

OTHER DATA

Scope of delivery	Angle
-------------------	-------

DIMENSIONAL DRAWING



INSTALLATION

DISPOSAL



Mounting / Installation may only be carried out by a qualified electrician!

**SAFETY WARNINGS**

Before initial operation, please make sure to follow all safety instructions that may be provided in the product information!

Never use these devices in applications where the safety of a person depends on their functionality.