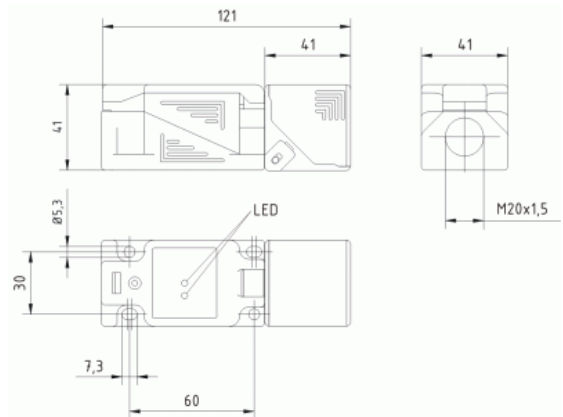


dimensions **41 x 41 x 121m**
 non-flush operating range **40mm**



- ✓ impact-resistant plastic housing
- ✓ short-circuit and reverse polarity protected
- ✓ switching state display with yellow LED
- ✓ large switching distance

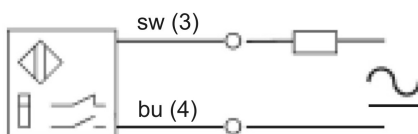


Technical Data

IN405300

nominal switching distance (Sn)	40mm
output signal	pnp, no/nc
switching hysteresis	≤15%
operating voltage	20 ... 250V AC/DC
output current (min.)	2mA
output current (max. load)	400mA
voltage drop (max. load)	≤ 5V
switching frequency	15Hz
repeat accuracy	≤ 5%
short-circuit protection	+
reverse polarity protection	+
display (signal)	2 LED
temperature (operating)	-25 ... +70°C
protection class (EN 60529)	IP67
material (housing)	PA 6.6
dimensions	41 x 41 x 121mm
connection	terminal

connection



sw=black, bu=blue

article no: **IN405300**

Warning: Never use these articles in applications where the safety of a person depends on their functionality.