

**VY000004**

**ACCESSORIES • SENSOR TESTERS**

Pulsed power supplies are used to supply electrical systems or system parts with a stabilized DC voltage. Due to the lower copper losses, pulsed power supplies in the lower power range are considerably more efficient than power transformers. Furthermore, they are more compact and are lighter weight than conventional, linear regulated power supplies, which contain a heavy transformer with iron core and cause additional losses in the linear regulator.



**MECHANICAL DATA**

Ambient temperature (MAX)	50 °C
Degree of protection (IP)	IP20
Depth	26 mm
Direct mounting possible	No
Height	120 mm
Housing material	Plastic
Rail mounting possible	No
Suitable for serial installation	No
Wall mounting possible	No
Width	72 mm

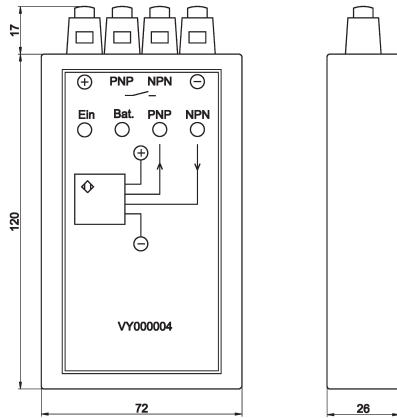
**ELECTRICAL DATA**

1. output voltage (MAX)	24 V
1. output voltage (MIN)	18 V
Battery-powered systems	Yes
Max. output current 1	0.04 A
Number of pins	4
Output voltage	18 V
Output voltage, regulated	No
Secondary voltage, adjustable	No
Suitable for safety functions	No
Type of electrical connection	Spring clamp connection
Voltage type of supply voltage	DC
With LED display	Yes

**OTHER DATA**

Stabilized	No
------------	----

## DIMENSIONAL DRAWING



## INSTALLATION



Mounting / Installation may only be carried out by a qualified electrician!

## DISPOSAL



## SAFETY WARNINGS

Before initial operation, please make sure to follow all safety instructions that may be provided in the product information!

Never use these devices in applications where the safety of a person depends on their functionality.