

dimensions **20 x 42 x 15mm**

measuring range **0 ... 10mm**

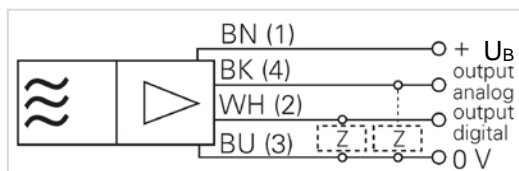
- ✓ **PNP-switching output**
- ✓ **analog output 0 ... 10V**
- ✓ **linear output signal**
- ✓ **internal teach-in**
- ✓ **short-circuit and reverse polarity protected**
- ✓ **M8-connector**



Technical Data
IB21A795

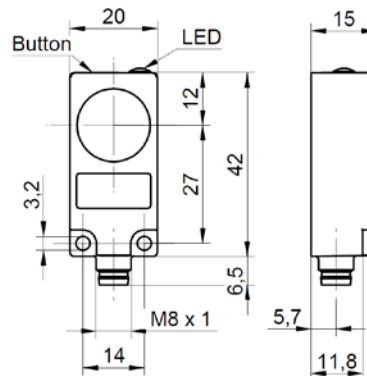
measuring range	0 ... 10mm
mounting	semi-flush
resolution	< 0.01mm
repeat accuracy	< 0.015mm
linearity deviation	± 50µm
temperature drift	± 5% over entire measuring range
operating voltage U _B	15 ... 30VDC
current consumption max.	20mA
analog output	0 ... 10V
load resistance	> 1000Ω
response time (factory characteristic)	< 2.5ms
response time (teach-in characteristic)	< 3.1ms
switching output	PNP, NO
output current (max. load)	< 10mA
voltage drop	< 5V DC
protection class	IP 67 (EN 60 529)
ambient temperature	-10 ... +70°C
dimensions	20 x 42 x 15mm
material (housing)	polyester
connection	M8-connector, 4-pin
connection accessories	e.g. VK205375
mounting accessories (universal holder)	AY000116

pin configuration



BN = braun, BK = schwarz, WH = weiß, BU = blau
 BN=brown, BK=black, WH=white, BU=blue
 terminal connection of cable sockets in brackets

dimensional drawing



article-no. **IB21A795**

Warning: Never use these articles in applications where the safety of a person depends on their functionality