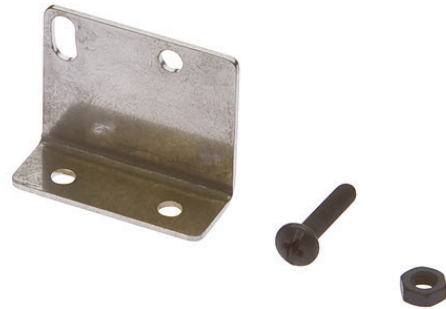


**AO000073**

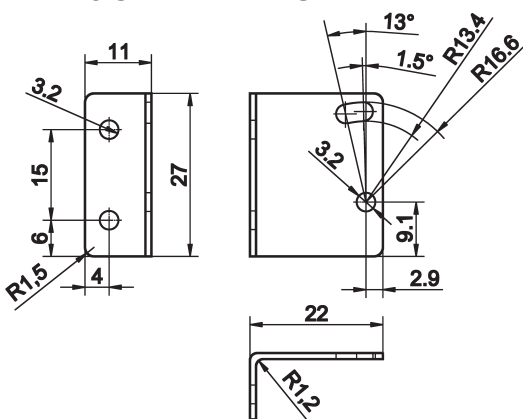
**ACCESSORIES • MOUNTING**



**MECHANICAL DATA**

Depth	11 mm
Height	22 mm
Length	11 mm
Material	Steel
Mounting type	Screw
Number of boreholes	3
Number of oblong holes	1
Version	Mounting angle bracket
Width	27 mm

**DIMENSIONAL DRAWING**



**INSTALLATION**



Mounting / Installation may only be carried out by a qualified electrician!

**DISPOSAL**



**SAFETY WARNINGS**

Before initial operation, please make sure to follow all safety instructions that may be provided in the product information!

Never use these devices in applications where the safety of a person depends on their functionality.