

## EY000002

### LED lights • Light strip

LED strip, 10x3x2500mm, RGB, 19.2W, 150 LEDs, self-adhesive, operation with controller VY000009, cable connector M12 4-pin, cable length 1m, IP50, plastic silicone casting clear



**/ Multi-segment RGB LED strip**

**Several operational modes that allow individual parameterization via IO-Link  
Start-up and setup is carried out via an IO link master**

The system consisting of LED strips/LED profile lights and a controller with an IO-Link interface offers many options for signaling statuses, time sequences or filling levels.

The LED strip or profile lights can be parameterized in a highly flexible manner via the IO-Link interface integrated in the controller. The corresponding combinations (LED strip/controller or profile lights/controller) are then controlled either via the five digital inputs or an analog signal or integrated into an existing IO-Link environment.

Five possible modes are available for individual parameterization:

1. status display
2. segments
3. level display
4. countdown
5. demo mode

#### Electrical features

Type of electrical connection	Cable connector M12
Rated operating current	1600 mA
Power	19.2 W
Number of pins	4
Protection class	III
ardSOCA_ElektrischerAnschluss	Cable connector M12 4-pin 1m

#### Mechanical features

Design	individual
Bending radius	15 mm
Width	10 mm
Height	3 mm
Cable length	1 m
Length	2500 mm
Mounting method	Adhesive surface
bending cycles	≥100 Zyklen
Degree of protection (IP)	IP50
Front screen scattering behavior	clear
Housing material	Kunststoff (PCB-Silikonguss)
Ambient temperature	-20 - 50 °C
ardSOCA_Abmessungen	2500x10x3mm

**Optical features**

Number of LEDs	150
Lamp	LED
Light source	RGB
Angle of beam spread	180 °
Risk group	1

**Other features**

Average nominal service life	50000 h
------------------------------	---------

**Classification**

ETIM 8
--------

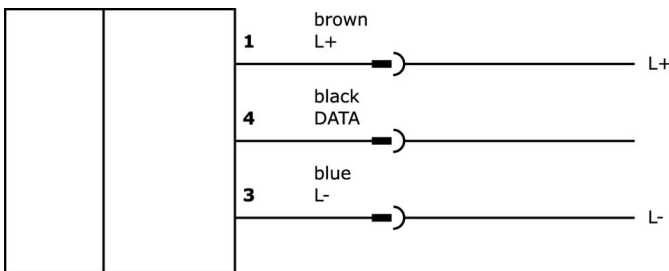
**More**

IPF Product Group	190 machine illuminations
packaging dimensions	149 x 124 x 28 mm
gross weight	169 g
Customs tariff number	94054239
WEEE number	40951076
Reach-compliant	Yes
RoHS-compliant	Yes

**Important notes**

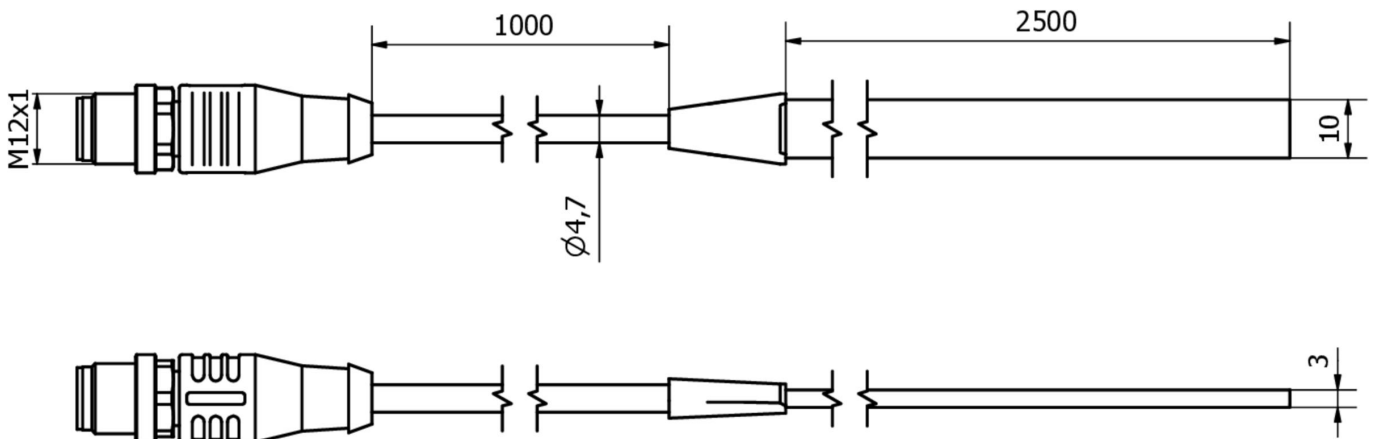
- / Es obligatorio un controlador LED para el funcionamiento. Una alimentación directa con 24VDC destruirá la luminaria.
- / Empfindlich gegenüber elektrostatischer Entladung
- / Die Länge der Anschlussleitung des LED-Streifens darf 3 m nicht überschreiten.

**Connection**



ATTENTION: Connection only to LED controller VY000009

**Dimensional drawing**




**Extract accessories program**

**VK030F21**




Connection cable, 0.3m, M12 socket 4-pin angular, M12 connector 4-pin straight, 4x0.34mm<sup>2</sup>, 240V, IP67, suitable for trailing chain and torsion resistant, oils and cooling lubricants, welding area, silicone-free

**VK030F25**




Connection cable, 0.3m, M12 socket 4-pin straight, M12 connector 4-pin straight, 4x0.34mm<sup>2</sup>, PUR (polyurethane), 240V, IP67, suitable for trailing chain and torsion resistant, oils and cooling lubricants, welding area, silicone-free

**VK030F28**




Connection cable, 0.3m, M12 socket 5-pin straight, M12 connector 5-pin straight, 5-core, PUR (polyurethane), suitable for trailing chain and torsion resistant, oils and cooling lubricants, welding area, silicone-free

**VK060F28**



Connection cable, 0.6m, M12 socket 5-pin straight, M12 connector 5-pin straight, 5-core, PUR (polyurethane), suitable for trailing chain and torsion resistant, oils and cooling lubricants, welding area, silicone-free

**AO000672**



LED sheath profile, PVC sheath for aluminum profiles with 8mm groove, 14x17mm, natural, by the meter

You can find further accessories on our homepage



**Installation**

Mounting / installation may only be carried out by a qualified electrician!



**Disposal**

WEEE number according to § 6 para. 3 ElektroG: 40951076

**Safety warnings**

/ Before initial operation, please make sure to follow all safety instructions that may be provided in the product information.

/ Never use these devices in applications where the safety of a person depends on their functionality.

/ LED lighting systems can generate intensive UV radiation, which can damage your eyes in case of improper use. The manufacturer cannot be held responsible for damages that result from improper use or connection.