

dimensions **M18 x 1**

 dimensions **5mm**

- ✓ one-piece stainless steel housing
- ✓ pressure-resistant up to 60bar
- ✓ extremely resistant
- ✓ extremely impermeable IP68 + IP69k
- ✓ short-circuit and reverse polarity protected
- ✓ LED-display
- ✓ M12-connector

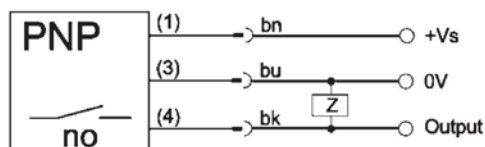


correction factor 1 on aluminum
IO-Link

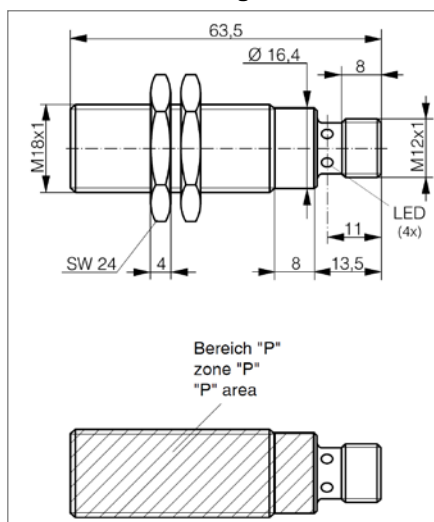

Technical Data
IC180122

nominal switching distance S_n	5mm
mounting	flush (consider correction factors!)
operating voltage U_B	10 ... 30V DC
permissible residual ripple	≤ 20%
switching output	npn, no
output current (max. load)	≤ 200mA
voltage drop	≤ 2V at 200mA
current consumption (w/o load)	≤ 10mA
leakage current (output)	≤ 0.1mA
switching frequency	≤ 100Hz
power-on delay time	≤ 25ms
switching hysteresis	≤ 15%
norm trimming plate	18 x 18 x 1mm, FE 360
switching state display	0 ≤ s ≤ 0.8s _r : LED yellow lighting 0.8s _r ≤ s ≤ s _r : LED yellow flashing
repeat accuracy	0.3mm (at $U_B = 20...30V$, $T_A = 23°C ± 5°C$)
pressure resistance („P“ area)	60bar
vibration and shock proof	acc. IEC 60947-5-2/7.4
EMC-protection	IEC 60947-5-2: 5kV IEC 61000-4-2: level 4 IEC 61000-4-3: level 3 IEC 61000-4-4: level 3
protection class	IP68 + IP69k
ambient temperature	-25 ... +70°C
temperature drift of S_r	≤ 10%
material (housing)	stainless steel V2A / 1.4305 / AISI 303
material thickness (active surface)	0.6mm
electrical connection	M12-connector
max. cable length	300m
connection accessories	e.g. VK200025
mounting accessories	mounting bracket: AY000100 univ.holder: AY000117

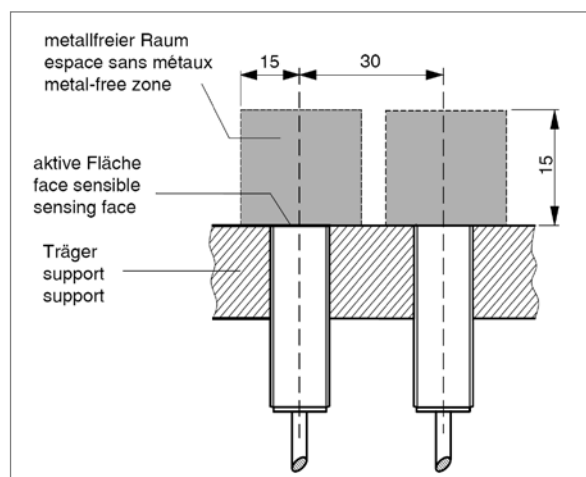
pin configuration:



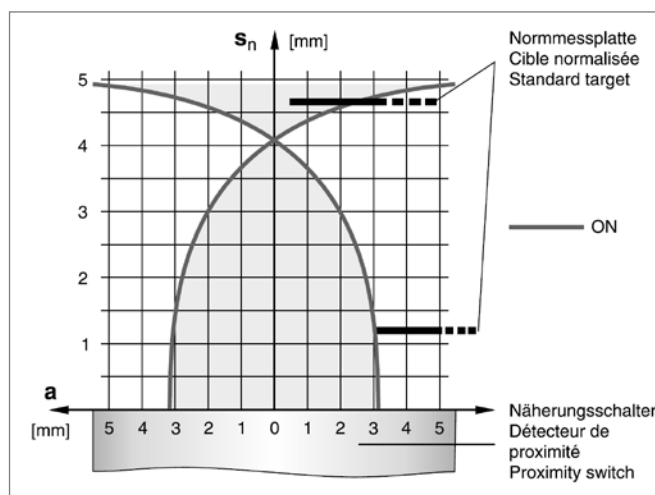
dimensional drawing:



Einbau / Montage / Installation:



Ansprechkurve* / Courbe de réponse* / Response diagram*:



Reduktionsfaktoren für Messplatte aus* / Coefficients de réduction pour cible en* / Correction factors for target of*:

Stahl FE 360	Kupfer	Aluminium	Messing	Edelstahl 1mm / 2mm dick
Acier FE 360 1.0	civre 0.8	aluminium 1.0	laiton 1.3	acier INOX épaisseur 1mm / 2mm 0.3 / 0.7
Steel FE 360	copper	aluminum	brass	stainless steel 1mm / 2mm thick

Reduktionsfaktoren für bündigen Einbau in Träger aus* / Coefficients de réduction pour montage noyé dans support en* / Correction factors for embeddable mounting in support of*:

Stahl FE 360	Aluminium	Messing	Edelstahl
Acier FE 360 0.9	aluminium 0.9	laiton 0.9	acier INOX 0.9
Steel FE 360	aluminum	brass	stainless steel

article-no.: **IC180122**

Warning: Never use these articles in applications where the safety of a person depends on their functionality.