

EA804140

Workplace and machine light

- / ESG coverage
- / Aluminum housing
- / Protection class IP65
- / Angle of emitted beam 30



Articulated arm Brightness adjustable

Description

These high-power LED lights are rugged, compact workstation and machine lights with high output.

The lights are suitable for focused illumination of workplaces and machines (in compliance with the protection class).

The articulated arm consists of two parts with 350 and 450mm length respectively. The special aluminum housing is also used for heat dissipation. The lights up can be used in ambient temperatures up to 50°C.

The angle of emitted beam of 30° provides spot-like illumination.

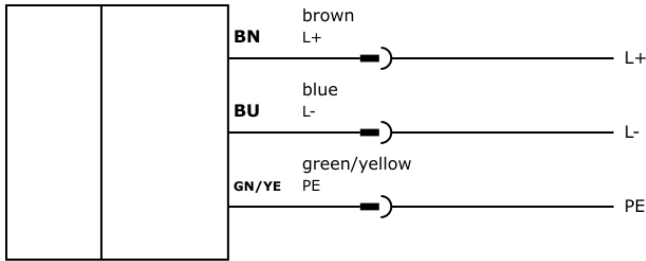
The color temperature is 5,000K. The use of SMD LED results in uniform and flicker-free light.

For mounting the lights up, there is a choice of a magnetic mount, a table clamp and a wall mount as mounting accessories.

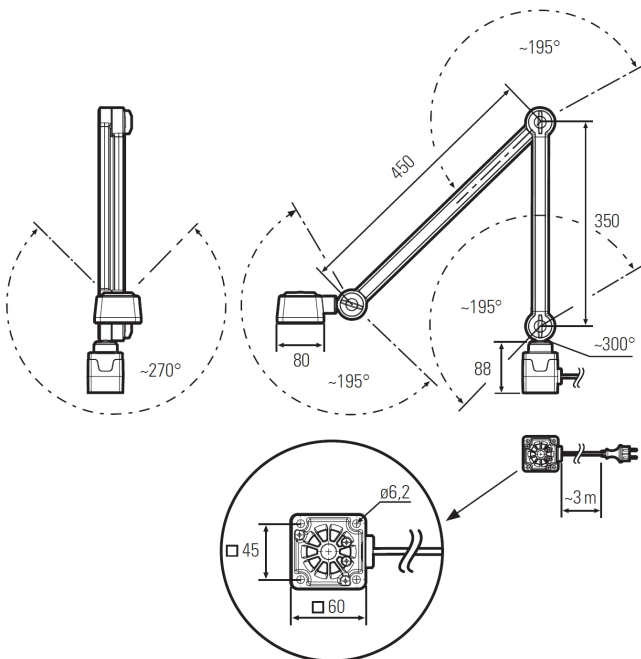
The connection is made via a 3m long connection cable with Schuko plug.

TECHNICAL DATA	EA804140
Operating voltage U_B	230V AC
Power consumption	9W
Current consumption	40mA
Dimensions luminaire head	80x80mm
Length articulated arm	350mm + 450mm
Material (luminaire housing)	Aluminum
Material (luminaire cover)	ESG
Temperature (operation)	-10 ... +50°C
Protection class	I
Protection class (EN60529)	IP65
Luminous flux	1,100lm
Illuminance in the center with distance 500mm	7,000lx
Connection	3m cable tail with safety plug
Connection accessories	
Mounting accessories holding magnet	AE000021
Mounting accessories table clamp	AE000022
Mounting accessories wall bracket	AE000023

Connection



Dimension drawing



Note on operation:

The light is switched on and off by briefly pressing the on/off button on the light head.

If you keep the button pressed for a longer time, the light continuously becomes brighter or darker. Release the button at the desired luminosity. Press the button briefly again to switch the lamp off. When you switch it on again (briefly press the button), the lamp lights up with the previously set brightness.

The programmed brightness remains stored until a new value is set again.

SAFETY INSTRUCTIONS:

LED light systems can produce very intense radiation that can possibly damage the eyes if used improperly.

The manufacturer cannot be held responsible for damage caused by improper use or connection.

Before start-up, please make sure that all safety instructions in the product documentation, if applicable, have been observed!