

## VL610308

### Connection technology • Logic modules

Logic module, 42x172x60mm, AND/OR, 8fold, 10-30V DC, sensor side M12 Female (socket) 4pin, control side M12 Male (connector) 4pin, IP67, Plastic, IO-Link

Connecting digital signals directly at the machine can contribute to significant cost and effort minimization. A classic application is the linking of different signals directly in the field. Thus, it is possible to avoid long line paths of many individual devices, which significantly reduces the wiring effort and the need for control inputs. All input signals on the logic modules are visualized by integrated LED and are electrically decoupled from each other. In this way, influences from one device to the other are reliably prevented. The outputs of the modules are overload-proof and the upcoming signal is also indicated by an LED. In addition to logical input signal connections such as AND and OR, versions with signal change control are also available. The ipf logic modules are available for DIN rail mounting or as field modules. Therefor and because of the robust housing, which is characterized by a high degree of protection against the penetration of dust and water, our devices can be used in all areas of machines, equipment and tools.

#### Electrical features

Number of inputs per logic unit	8
Number of electrical connections, A connection	8
Number of electrical connections, B connection	1
Number of logic units	1
Display	LED display
Type of plug-in contact, A connection	Female (socket)
Type of plug-in contact, B connection	Male (connector)
Type of A electrical connection	M12
Type of B electrical connection	M12
Rated switching current	100 mA
Operating voltage (DC)	10 - 30 V
IO-Link compatible	Yes
Logic	AND/OR
Number of pins of A connection	4
Number of pins of B connection	4

#### Mechanical features

Width	60 mm
Height	41.5 mm
Length	172 mm
Mounting method	Screw mounting
Degree of protection (IP)	IP67
Ambient temperature	-20 - 70 °C
Housing material	Plastic

#### Other features

IO-Link version	V1.1
-----------------	------

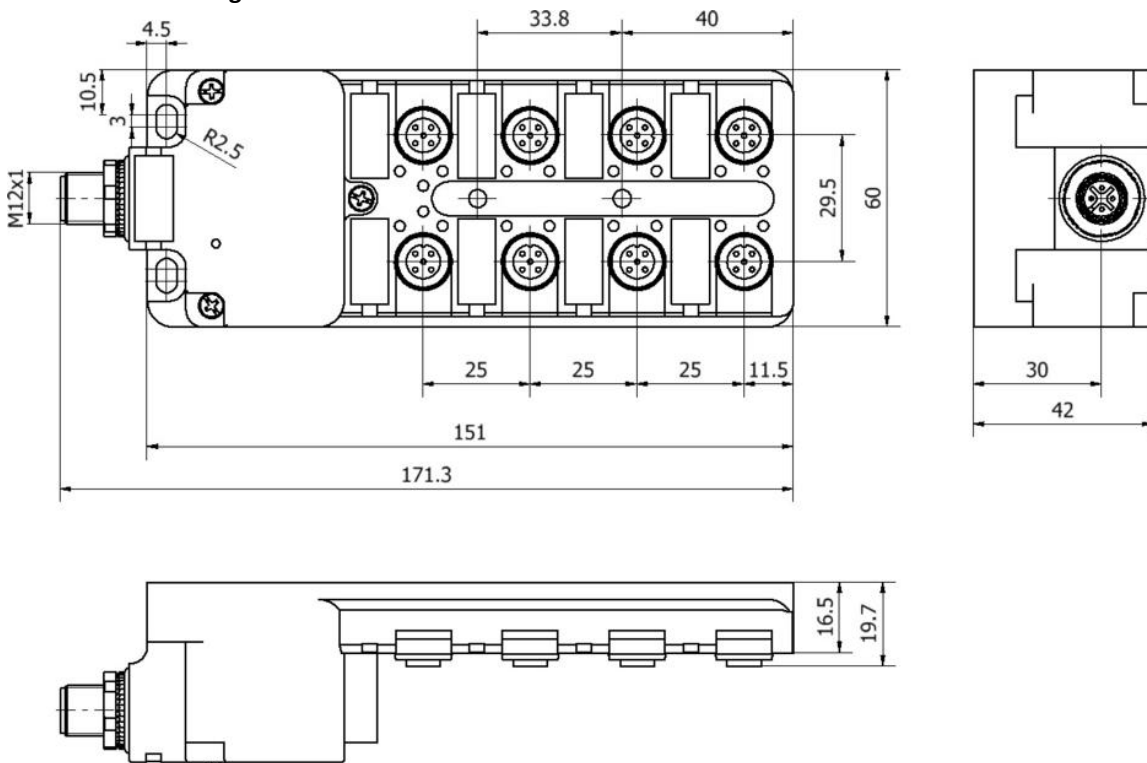
**Classification**

eClass 7.0	27242216
eClass 7.1	27242216
eClass 8.0	27242216
eClass 9.0	27242216
eClass 9.1	27242216
ETIM 8	EC001417 Logikmodul

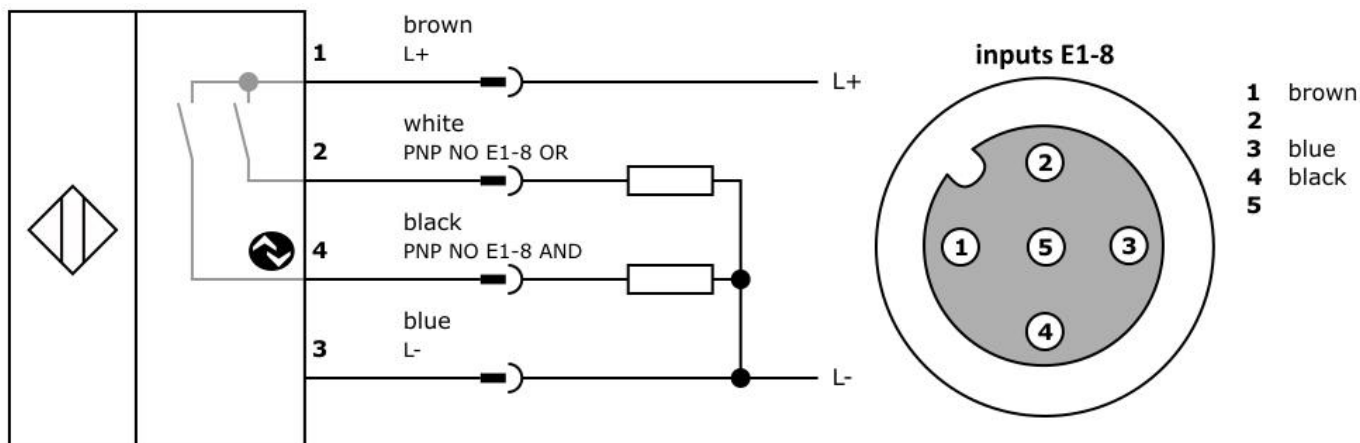
**More**

IPF Product Group	800 miscellaneous
packaging dimensions	210 x 138 x 95 mm
gross weight	418 g
Customs tariff number	85365005
WEEE number	40951076
Reach-compliant	Yes

**Dimensional drawing**



**Connection**



**Installation**



Mounting / installation may only be carried out by a qualified electrician!

**Disposal**



**Safety warnings**

Before initial operation, please make sure to follow all safety instructions that may be provided in the product information.

Never use these devices in applications where the safety of a person depends on their functionality.

For suitable connection and mounting accessories, please refer to our website [www.ipf-electronic.com](http://www.ipf-electronic.com).

Any software, drivers or IODD files that may be required to operate your device can be downloaded free of charge from our homepage: [www.ipf-electronic.com](http://www.ipf-electronic.com)