

IY150100

INDUCTIVE SENSORS • RING SENSORS

Inductive proximity switches are contact-free sensors. They detect all conductive metals, regardless of whether they move or not. The achievable sensing range of the devices depends on the object material and its dimensions. The vibration-resistant sensors can be approached laterally or frontally. Inductive proximity switches are used for presence detection (e.g. goods carriers), positioning (e.g. dampers), counting (e.g. nuts /bolts), speed detection (e.g. for cog wheels), on conveyor systems (e.g. hose feedings) or distance measurements (e.g. press-in checking) of metallic objects.

MECHANICAL DATA

Active area material of sensor	Plastic ABS
Housing design	Ring-shaped
Housing material	Plastic ABS
Material of cable sheath	Silicone
Mechanical mounting condition for sensor	Non-flush
Pressure-proof	No
Ring diameter	15 mm
Sensor length	70 mm

ELECTRICAL DATA

Cascadable	No
IO-Link compatible	No
Max. output current	200 mA
Suitable for safety functions	No
Supply voltage	10 V ... 30 V
Switching behavior of the output	Static
Switching distance	15 mm
Type of electrical connection	Cable
Type of switching function	Normally open contact
Type of switching output	PNP
Voltage type	DC
With LED display	Yes
With monitoring function of downstream devices	No

OTHER DATA

Feeding technology	Yes
Ring-shaped sensors	Yes

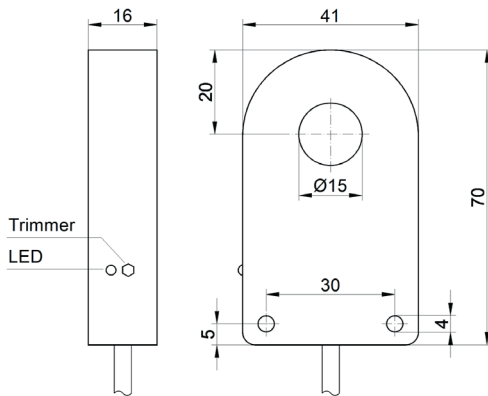
CONNECTION



Colors: BN (brown), BU (blue), BK (black)

Functions: BN = L+, BU = L-, BK = PNP NO

DIMENSIONAL DRAWING



INSTALLATION



Mounting / Installation may only be carried out by a qualified electrician!

DISPOSAL



SAFETY WARNINGS

Before initial operation, please make sure to follow all safety instructions that may be provided in the product information!