

AY000170

ACCESSORIES • MOUNTING

accessories sensor, Mounting bracket, 43x36x30mm, V2A



MECHANICAL FEATURES

Height	43 mm
Housing material	Stainless steel 1.4301
Length	35.5 mm
Material	Stainless steel
Type of mechanical accessories	Mounting bracket
Width	30 mm

ELECTRICAL FEATURES

Internal hole diameter	18 mm
------------------------	-------

OTHER FEATURES

Current plunger	-
-----------------	---

Other

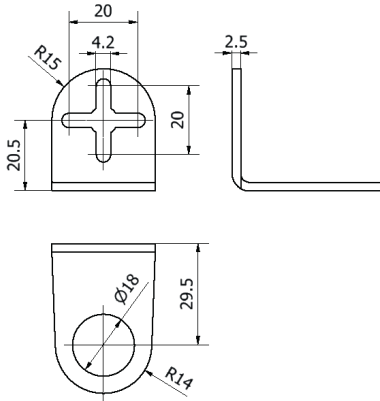
Packaging dimensions	70mm x 30mm x 100mm
Shipping weight	0.03kg
Tariff code	73269098

Classification

ipf product group	900
eClass 8.0	27279202
eClass 9.0	27273701
eClass 9.1	27273701
ETIM-5.0	EC002024
ETIM-6.0	EC002024
ETIM-7.0	EC002024

Connection

Dimensional drawing



Installation



Mounting / installation may only be carried out by a qualified electrician!

Disposal



Safety warnings

Before initial operation, please make sure to follow all safety instructions that may be provided in the product information. Never use these devices in applications where the safety of a person depends on their functionality. LED lighting systems can generate intensive UV radiation, which can damage your eyes in case of improper use. The manufacturer cannot be held responsible for damages that result from improper use or connection.