

UT309520

ULTRASONIC SENSORS • DIFFUSE REFLECTION SENSORS

sensor ultrasonic, diffuse-reflection sensor, M30x1.5 60long, Sn: 300-3000, 18-30V DC, 1x PNP/NPN Programmable/configurable, IO-Link, Connector M12 4pin, IP67, Brass Nickel-plated, Teach-In, With LED display, ultrasonic cone Axial



MECHANICAL FEATURES

Ambient temperature	-25 °C ... 70 °C
Degree of protection (IP)	IP67
Design	Cylinder, screw-thread
Diameter detection	+
Furcate	-
Housing coating	Nickel-plated
Housing material	Brass
Housing material, detail	Brass
Mounting distance	500 mm
Sensor diameter	30 mm
Sensor length	60 mm
Thread length	34.5 mm
Thread pitch	1.5 mm
Thread size, metric	30

ELECTRICAL FEATURES

Absolute repeat accuracy	2 mm
Adjustable distance	300 mm ... 3000 mm
Adjustable measuring range	+
Carrier frequency	125 kHz
Filling level measurement	-
IO-Link compatible	+
No-load current	45 mA
Norm measuring plate	200x200
Number of pins	4
Number of switching outputs	1
Operating voltage	18 V ... 30 V
Protection class	III
Rated switching current	100 mA
Readiness delay	300 ms
Response/decay time	10 ms
Reverse polarity protection	+
Sensing range	300 mm ... 3000 mm

ELECTRICAL FEATURES

Setting procedure	Teach-In
Setting via teach-in	+
Short-circuit protection	+
Sound cone with small angle of beam spread	+
Sound outlet	Axial
Switching frequency	3 Hz
Switching output with window function	-
Synchronization input	-
Synchronization possible	-
Temperature drift	0.2 %
Type of electrical connection	Connector M12
Type of switching function	Programmable/configurable
Type of switching output	PNP/NPN
Voltage drop	2 V
Voltage type	DC
With LED display	+

OPTICAL FEATURES

Resolution	1 mm
High resolution	-

OTHER FEATURES

Dead zone	300 mm
Level detection	+
Loop control	-
Object detection on conveyor systems	+
With protective coating	-

Other

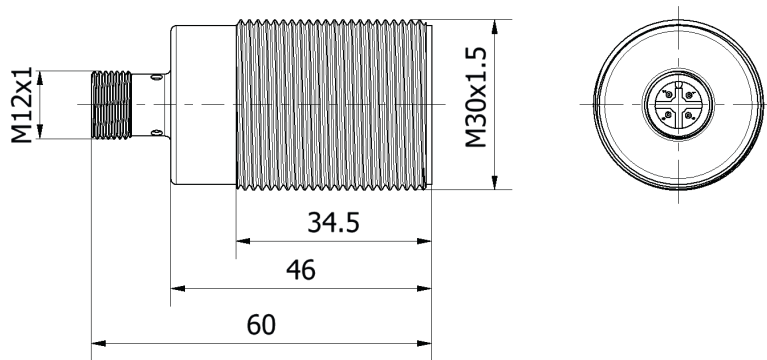
Packaging dimensions	175.0mm x 32.0mm x 155.0mm
Shipping weight	0.12kg
Tariff code	85365019

Classification

ipf product group	250
eClass 8.0	27272803
eClass 9.0	27272803
eClass 9.1	27272803
ETIM-5.0	EC001849
ETIM-6.0	EC001849
ETIM-7.0	EC001849

Connection

Dimensional drawing



Installation



Mounting / installation may only be carried out by a qualified electrician!

Disposal



Software

Any software, drivers or IODD files that may be required to operate your device can be downloaded free of charge from our homepage: www.ipf-electronic.com

Safety warnings

Before initial operation, please make sure to follow all safety instructions that may be provided in the product information. Never use these devices in applications where the safety of a person depends on their functionality.

LED lighting systems can generate intensive UV radiation, which can damage your eyes in case of improper use. The manufacturer cannot be held responsible for damages that result from improper use or connection.