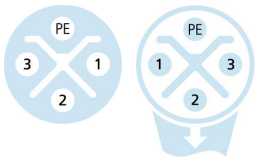
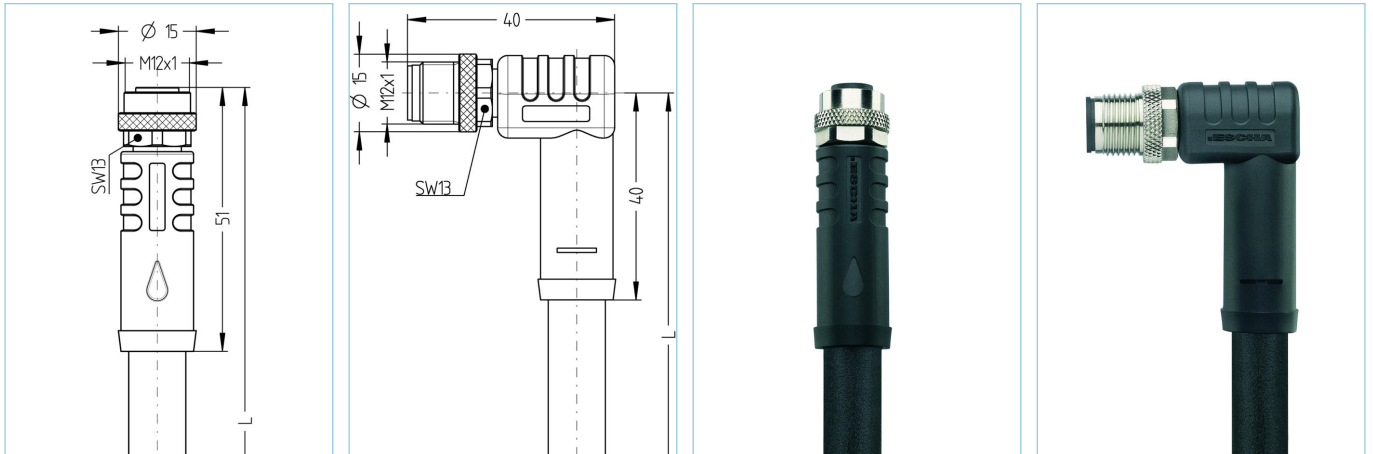


M12, female, straight, 3+PE, S-coded, M12, male, angled, 3+PE, S-coded, rail approved



Product data

| | |
|--------------------|---|
| Item description | RA-PSAM12K4.189-5-RA-PSWM12S4.189/S4600 |
| Item-No. | 8080912 |
| Length | 5m |
| Customs tariff-No. | 85444290 |
| Step-File | RA-PSAM12K4-m-RA-PSWM12S4_S4600.stp |
| EAN | 4047106229924 |

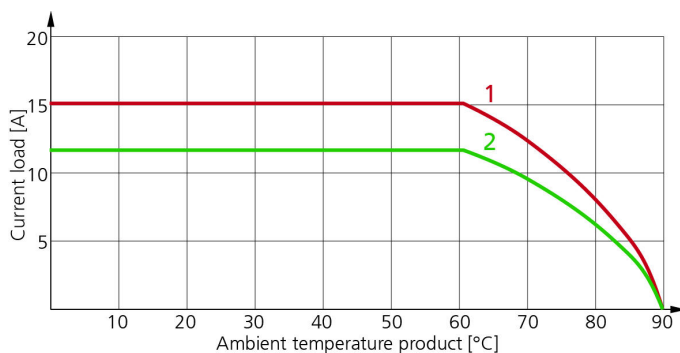
Technical data

| | A-side | B-side |
|--------------------------------|--|--|
| Connector | female, straight, M12 | male, angled, M12 |
| Number of pins | 3+PE | 3+PE |
| Pin assignment | 1 WH, 2 WH, 3 WH, 4 GNYE | 1 WH, 2 WH, 3 WH, 4 GNYE |
| Coding of | S | S |
| Rated voltage | 630V _{AC} 600V _{AC} (UL) | 630V _{AC} 600V _{AC} (UL) |
| Current load (at 40°C) | 12A | 12A |
| Insulation resistance | ≥10 ⁸ Ω | ≥10 ⁸ Ω |
| Contact material | Metal, CuZn, gold-plated | Metal, CuZn, gold-plated |
| Contact-carrier material | Plastic, PA, BK | Plastic, PA, BK |
| Grip body material | Plastic, TPU, BK | Plastic, TPU, BK |
| Coupling nut material | Metal, CuZn, nickel-plated | Metal, CuZn, nickel-plated |
| Sealing (female) material | FPM/FKM | FPM/FKM |
| Standards | IEC 61076-2-111 | IEC 61076-2-111 |
| Degree of protection (mounted) | IP65, IP67, IP68 | IP65, IP67, IP68 |
| Mechanical life-cycle | >100 mating cycles | >100 mating cycles |
| Degree of pollution | 2 | 2 |

Cable web
RADOX®, 4x1.5mm², S4600

Halogen-free, electron-beam cross-linked cable with improved behaviour in case of fire, easy to strip, soldering resistant and flexible. The cable is intended for fixed, mechanically protected installation inside railway vehicles or for installation in applications where limited alternating bending stresses occur during operation. It fulfills the requirements according to EN 50306-4 and EN 45545-2 (HL1 - HL3). Wire cross-section: 1.5mm². RADOX® is a registered trademark of HUBER+SUHNER AG, Switzerland.

| | |
|---------------------------|--|
| Outer diameter of jacket | 6.7 mm |
| Cable-jacket material | RADOX® EM 104 |
| Jacket color | BK, similar RAL9005 |
| Wire cross-section | 4 x 1.5 mm ² |
| Wire insulation material | RADOX® EI 306 |
| Wire colors | WH 1, WH 2, WH 3, GNYE |
| Wire structure | 19 x 0.31 mm |
| Bending radius (fixed) | 3 x Ø-cable |
| Bending radius (repeated) | 4 x Ø-cable |
| Temperature range (fixed) | -40°C...+120°C |
| Halogen-free | Yes |
| Rated voltage cable | VDE U0/U: 300V/500V |
| Special features | flame retardant, halogen free, LABS free, microbes resistant, oil- and fuel resistant, ozone resistant, recyclable, RoHs compliant, acid- and alkali resistant, welding sparks resistant, seawater resistant, UN ECE R 118, UV resistant |

Derating curve according to DIN 60512-5-2


1: Base curve

2: Derived curve according to DIN 60512-5-2 with correction factor 0,8

Accessories
Mounting-set, M12
<https://www.escha.net/en/products/standard/accessories-for-connectivity/8047664>
Torque-wrench set
<https://www.escha.net/en/products/standard/accessories-for-connectivity/8055431>
Marking rings Ø 9mm
<https://www.escha.net/en/products/standard/accessories-for-connectivity?p=1&o=3&n=15&f=809>
Screw plug, M12
<https://www.escha.net/en/products/standard/accessories-for-connectivity?p=1&o=3&n=15&f=812>
Screw cap, M12
<https://www.escha.net/en/products/standard/accessories-for-connectivity?p=1&o=3&n=15&f=811>
Link to product
<https://www.escha.net/en/products/standard/connectors-for-bus-and-rail/8080912>