

## EZ500330

### LED lights • Signal lights

LED signal light, Ø50, 4 segments, multicolor LED, 4.3W, 24V DC, with signal transducer, M12-connector 8-pin, IP20, aluminum+PC



**/ Anodized aluminum housing**

### Status display 360° Acoustic warning signal

LED lights are needed in almost every industrial sector. Illumination matched to the respective workplace ensures better visibility, increases production quality, increases workplace safety and also helps to save energy costs. The long life, independent of switching cycles, reduces maintenance and increases availability. LED lights are used to illuminate workstations, operating ranges of machines, switching cabinets and a number of other applications.

#### Electrical features

Type of electrical connection	Connector M12
Rated operating current	180 mA
Power	4.3 W
Number of pins	8
Protection class	III
Reverse polarity protection	Yes
Version of the acoustic signal generator	Buzzer (95dB)
Operating voltage (DC)	24 V
Signal color	Blue   Yellow   Green   Red
ardSOCA_ElektrischerAnschluss	M12 8-pin plug connector
ardSOCA_Betriebsspannung	24VDC

#### Mechanical features

Design	Pipe
Diameter	50 mm
Thread pitch	1.5 mm
Height	231 mm
Degree of protection (IP)	IP20
Front screen scattering behavior	diffuse
Housing material	Aluminum
Front screen material	Polycarbonate
Thread dimension	M30
Ambient temperature	0 - 50 °C
ardSOCA_Abmessungen	M30x1.5

**Optical features**

Lamp	LED
Light source	Multi-colored LED
Angle of beam spread	360 °
Signal color	Blue   Yellow   Green   Red
Risk group	0

**Other features**

Number of segments	4
--------------------	---

**Classification**

ETIM 8	EC000348 Machine and workbench light
--------	--------------------------------------

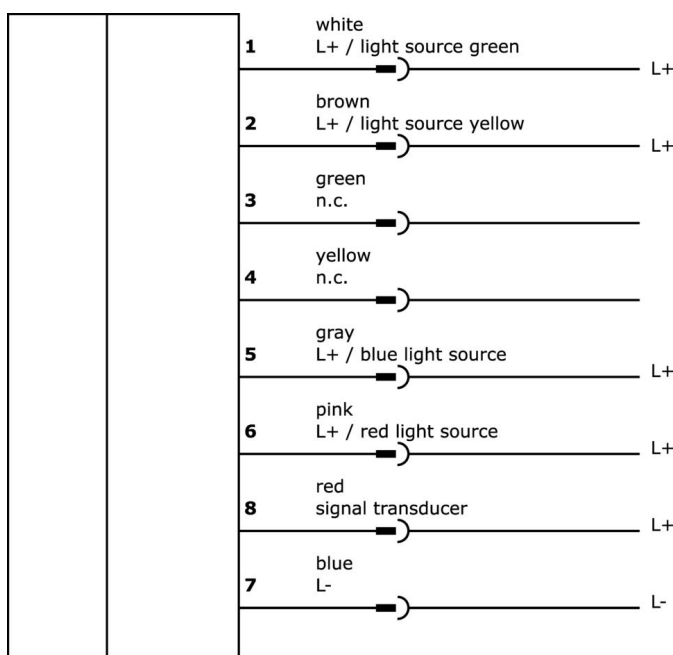
**More**

IPF Product Group	190 machine illuminations
packaging dimensions	370 x 90 x 90 mm
gross weight	466 g
Customs tariff number	94054239
WEEE number	40951076
ATEX-compliant	No
POP-compliant	Yes
Reach-compliant	Yes
RoHS-compliant	Yes

**Important notes**

**/** Die Leuchte kann nicht zerstörungsfrei geöffnet werden.

**Connection**





---

**Safety warnings**

- /** Before initial operation, please make sure to follow all safety instructions that may be provided in the product information.
- /** Never use these devices in applications where the safety of a person depends on their functionality.
- /** LED lighting systems can generate intensive UV radiation, which can damage your eyes in case of improper use. The manufacturer cannot be held responsible for damages that result from improper use or connection.