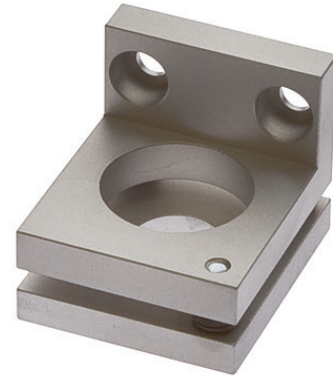


AP000017

ACCESSORIES • MOUNTING



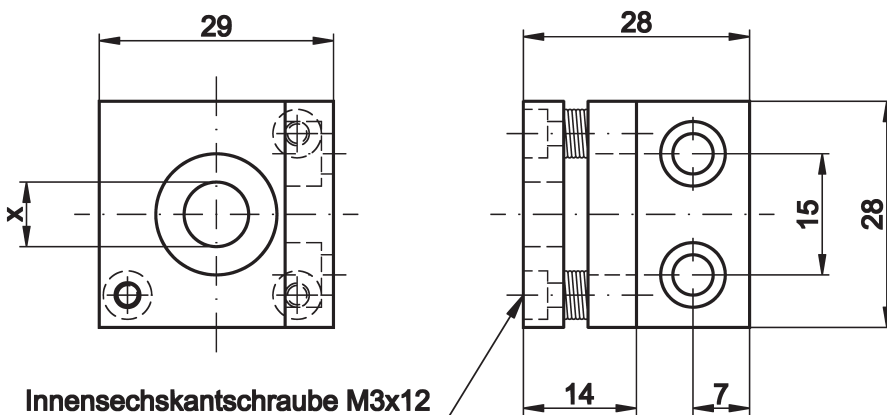
MECHANICAL DATA

Diameter/width of the fastening holes for sensor	4.5 mm
Height	28 mm
Length	28 mm
Material	Aluminium
Mounting type	Screw
Number of boreholes	2
Version	Mounting angle bracket
Weight	28 kg
Width	29 mm

OTHER DATA

Scope of delivery	Precision bracket
-------------------	-------------------

DIMENSIONAL DRAWING



INSTALLATION

DISPOSAL



Mounting / Installation may only be carried out by a qualified electrician!



SAFETY WARNINGS

Before initial operation, please make sure to follow all safety instructions that may be provided in the product information!

Never use these devices in applications where the safety of a person depends on their functionality.