

AY000004

ACCESSORIES • MOUNTING



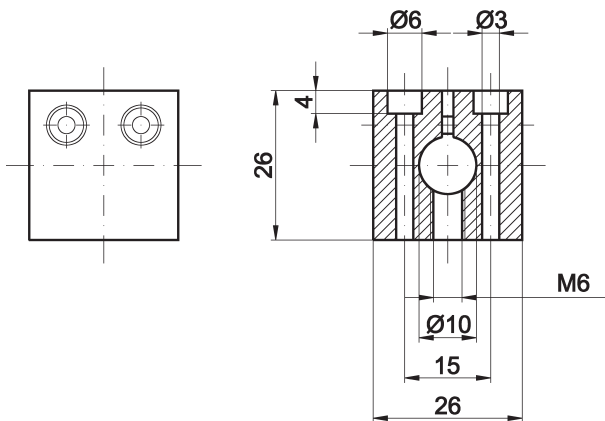
MECHANICAL DATA

For sensor	IV000227
Material	Plastic
Mounting type	Screw mounting
Nominal diameter	10 mm
To fix to	Wall mounting

OTHER DATA

Suitable for fire protection areas	No
------------------------------------	----

DIMENSIONAL DRAWING



INSTALLATION



Mounting / Installation may only be carried out by a qualified electrician!

DISPOSAL



SAFETY WARNINGS

Before initial operation, please make sure to follow all safety instructions that may be provided in the product information!

Never use these devices in applications where the safety of a person depends on their functionality.