

AL000009

ACCESSORIES • ATTACHMENT OPTICS



MECHANICAL DATA

Design	External thread
Diameter	4 mm
Housing material	Stainless steel
Length	21 mm
Material of optical surface	Glass
Thread pitch	0.7 mm
Thread size, metric	4
Type of accessories	Lens

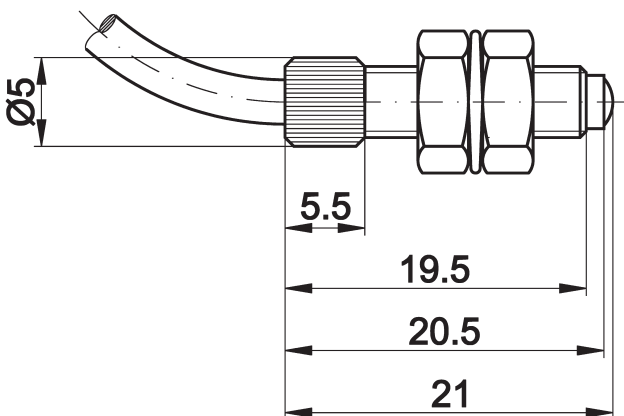
ELECTRICAL DATA

Cable type	Simplex
------------	---------

OTHER DATA

Suitable for through-beam sensors	Yes
-----------------------------------	-----

DIMENSIONAL DRAWING



INSTALLATION

DISPOSAL



Mounting / Installation may only be carried out by a qualified electrician!

**SAFETY WARNINGS**

Before initial operation, please make sure to follow all safety instructions that may be provided in the product information!

Never use these devices in applications where the safety of a person depends on their functionality.