

IN40C301

INDUCTIVE SENSORS • ENLARGED SWITCHING DISTANCE

Inductive proximity switches are contact-free sensors. They detect all conductive metals, regardless of whether they move or not. The achievable sensing range of the devices depends on the object material and its dimensions. The vibration-resistant sensors can be approached laterally or frontally. Inductive proximity switches are used for presence detection (e.g. goods carriers), positioning (e.g. dampers), counting (e.g. nuts /bolts), speed detection (e.g. for cog wheels), on conveyor systems (e.g. hose feedings) or distance measurements (e.g. press-in checking) of metallic objects.



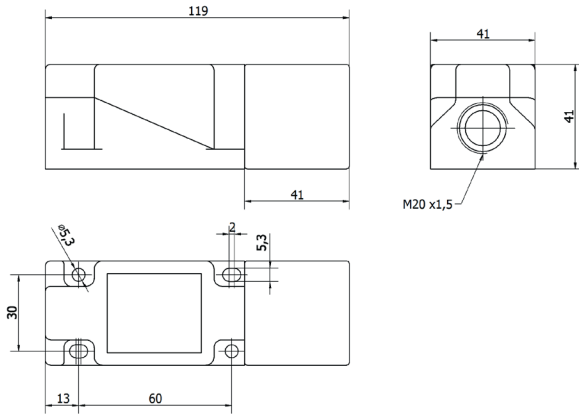
MECHANICAL DATA

Active area material of sensor	PA 6.6 GF30
Ambient temperature (MAX)	70 °C
Ambient temperature (MIN)	-25 °C
Degree of protection (IP)	IP67
Housing design	Cuboid
Housing material	PA 6.6 (synthetic)
Mechanical mounting condition for sensor	Non-flush
Pressure-proof	No
Sensor height	40 mm
Sensor length	120 mm
Sensor width	40 mm

ELECTRICAL DATA

Cascadable	No
Max. output current	120 mA
Suitable for safety functions	No
Supply voltage (MAX)	30 V
Supply voltage (MIN)	10 V
Switching distance	40 mm
Type of electrical connection	Clamp
Type of switching function	Normally closed contact/normally open contact
Type of switching output	PNP
Voltage type	DC
With monitoring function of downstream devices	No

DIMENSIONAL DRAWING



INSTALLATION



Mounting / Installation may only be carried out by a qualified electrician!

DISPOSAL



SAFETY WARNINGS

Before initial operation, please make sure to follow all safety instructions that may be provided in the product information!

Never use these devices in applications where the safety of a person depends on their functionality.