

**AV000058**

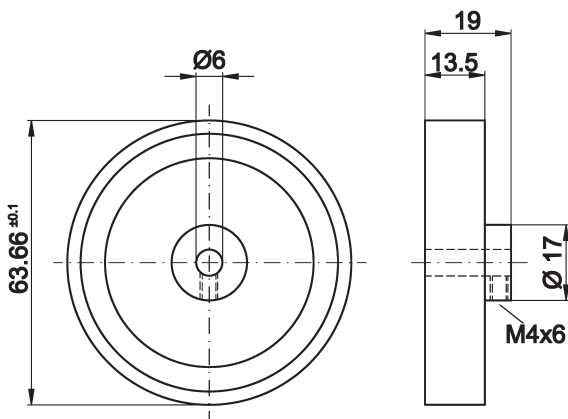
**ACCESSORIES • LINEAR AND ANGULAR MEASUREMENT**



**MECHANICAL DATA**

Diameter	64 mm
Housing material	Aluminium
Type of mechanical accessories	Rubber with naps
Width	12 mm

**DIMENSIONAL DRAWING**



**INSTALLATION**



Mounting / Installation may only be carried out by a qualified electrician!

**DISPOSAL**



**SAFETY WARNINGS**

Before initial operation, please make sure to follow all safety instructions that may be provided in the product information!

Never use these devices in applications where the safety of a person depends on their functionality.