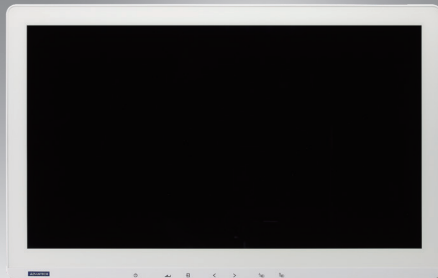


PAX-327 4K

27" 4K Surgical Monitor



Features

- True Flat Design with AR Filter
- High Brightness and High Contrast Ratio
- 4K UHD Resolution (3840 x 2160)
- HDMI 2.0, DP 1.2 Support Up to 3840 x 2160 @ 60 Hz
- SDI Support Up to 3840 x 2160 @ 60 Hz (4K SDI 3G x 4 or 4K SDI 12G x 1)
- DVI Support Up to 3840 x 2160 @ 30 Hz
- Video Enhancement features including:
 - 14-bit LUT processing
 - DICOM Part 14 GSDF Compliant
 - DICOM, Clear, Blue modes support
- Optional upgrade to IP-based monitor with AVAS

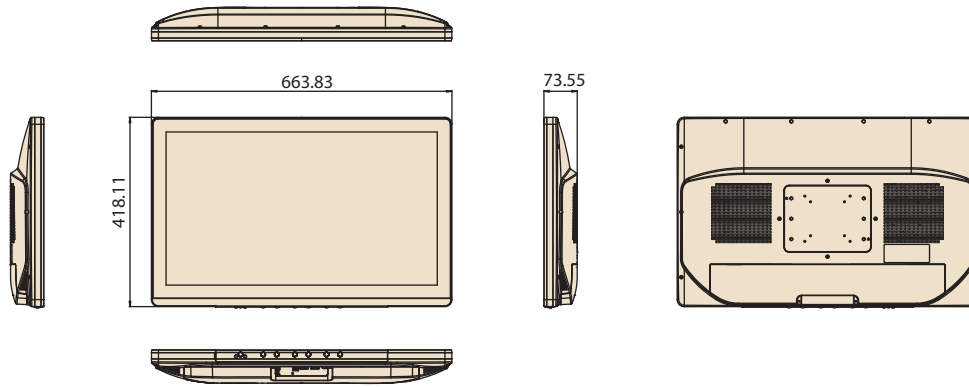


Specifications

		PAX-327-C8A-HAR PAX-327-C8L-HAS	
LCD	Screen Size	27" (596.16 x 335.34 mm)	
	Resolution	3840 x 2160	
	Aspect Ratio	16 : 9	
	Pixel Pitch	0.15525 x 0.15525 mm	
	Viewing Angle	178° / 178°	
	Contrast Ratio (Typ.)	1,000 : 1	
	Native Luminance (Typ.)	800 cd/m ²	
	Color Depth	10-bit 1.07B Colors	
	Display Mode	AHVA	
	Response Time	16ms (Tr + Tf)	
	Touchscreen	Optional 10-point PCAP	
	Backlight	LED	
Input	DP 1.2 Input	DP Jack x 1 DisplayPort 1.2, 3840 x 2160 @ 60 Hz max.	
	HDMI 2.0 Input	HDMI Jack x 1 (Type A) Digital RGB: TMDS, 3840 x 2160 @ 60 Hz max.	
	DVI Input	DVI Jack x 1 (Type D) Digital RGB: TMDS, 3840 x 2160 @ 30 Hz max.	
	USB Up	USB-B Jack x 1 For Optional Touchscreen	
	RS-232C	D-Sub Jack x 1 Service Port	
	DC Power Input	DC Jack x 1 DC 24V, 6.25 A or 4.16 A	
Optional Input	AVAS	SFP+ Module x 1 For Video Over IP Option, Please Contact Sales	
	SDI 3Gx4 Input	BNC Jack x 4 PAX-327-C8L-HAS	
	SDI 12G Input	BNC Jack x 1 PAX-327-C8L-HAS	
Output	HDMI 2.0 Output	HDMI Jack x 1 (Type A) Digital RGB: TMDS, 3840 x 2160 @ 60 Hz max.	
	DVI Output	DVI Jack x 1 (Type D) Digital RGB: TMDS, 3840 x 2160 @ 30 Hz	
	DC Power Output	DC Jack x 1 DC 5 V or DC 12 V	
Optional Output	DP 1.2 Output	DP Jack x 1 DisplayPort 1.2 MST or Clone	
	SDI 3Gx4 Output	BNC Jack x 4 PAX-327-C8L-HAS	
	SDI 12G Output	BNC Jack x 1 PAX-327-C8L-HAS	
Environment	Temperature	Operational	0 ~ 40 °C
		Storage	-20 ~ 60 °C
	Humidity	Operational	Ta = 40 °C, 90% RH non-condensed
		Storage	5 ~ 90%
	Pressure	Operational	500 hPa to 1013 hPa
		Storage	500 hPa to 1013 hPa
Power	Rating	DC 24 V, 6.25 A max.	
	Consumption (Typ.)	86.8 W max.	
Physical Characteristics	IP Ratings	Front IP65 / Top IPX1	
	VESA Mount	100 x 100; 75 x 75 mm	
	Dimension (W x D x H)	663.83 x 73.55 x 418.11 mm	
	Weight	9.72 kg max.	
Certifications		CE MDR (EN60601-1; EN60601-1-2), RoHS II	
Warranty		3 Years	
Accessories		Power Adapter + HDMI Cable	

Dimensions

Unit: mm



Ordering Information

Part Number	Brightness	Power Consumption	SDI Output	Glass Specification	Weight
PAX-327-C8A-HAR	800 cd/m ²	66.8 W	-	PCAP, Anti-Reflection	9.52 kg
PAX-327-C8L-HAS	800 cd/m ²	86.8 W	4K 3Gx4 and 12Gx1	Anti-Reflection	9.72 kg

Optional Items

Part Number	Description
1702002605	Power Cord (Europe) 1.8M
1702002600	Power Cord (USA) 1.8M
1700018704	Power Cord (UK) 1.8M
AVAS-OPAC-0013	AOC HDMI Cable 4Kp60 20M
AVAS-OPAC-0014	AOC HDMI Cable 4Kp60 30M
AVAS-OPAC-0015	AOC HDMI Cable 4Kp60 50M

Packing List

Part Number	Description	Qty
PAX-327-C8	27" 4K Surgical Monitor	1
XKT-HPU101-P09B139	Power Adapter 100W 24V	1
1700031475-01	USB Cable A-B 2M	1*
1700028438-01	HDMI Cable 1.8M	1

*Touch panel models only.

Recommended Mounting Solution

Model Name	ARES-2423R	
Part Number	ARES-2423R-A741L00	ARES-2423R-A741L01
Photo		
Max. Support Weight	6 - 12kg	
Max. Support Panel Size	≤ 27"	
VESA Information	75 x 75 mm 100x100 mm	

For more information, please click this link: <https://bit.ly/3T7dLMR>