

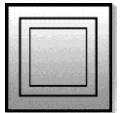
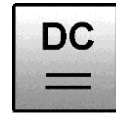
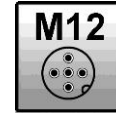
EZ30042x

LED lights
Signal lights

- / Aluminum housing
- / Plastic front screen, opal white
- / Protection class IP54
- / Flicker-free light without UV and IR content



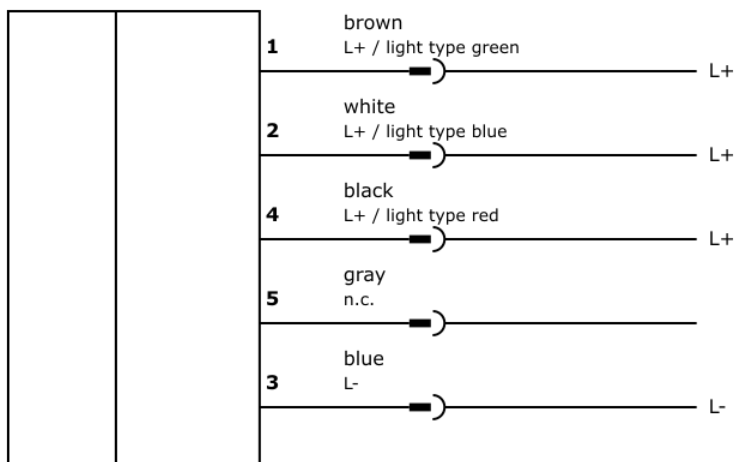
3 colors
RED – GREEN – BLUE



TECHNICAL DATA

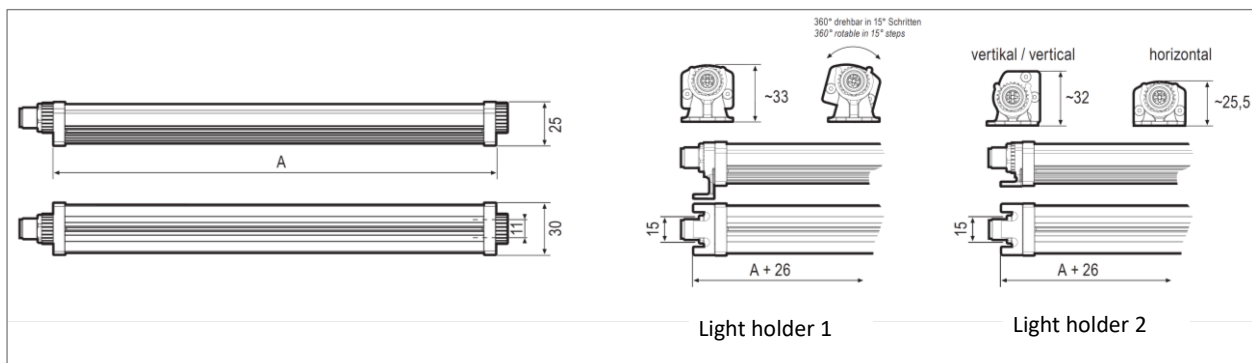
Operating voltage	24V DC - 10% +7%
Current consumption	See article listing
Power consumption (max.)	See article listing
Beam angle	120°
Light color	RGB
Protection class (EN 60529)	IP54
Protection class	III
Material (housing)	Aluminum
Material (front screen)	Polycarbonate, diffuse
Dimensions	30 x 25mm x length
Temperature (operation)	-10 ... +50°C
Connection	M12-connector 4pin
Connection accessories	e.g. VK200325
Mounting accessories	Light holder included

Connection



1+4=yellow, 1+2=light blue, 2+4=pink, 1+2+4=white

Dimensional drawing



Article listing

Article no.	Length "A"	Power consumption			Power consumption (total)	Rated operational current
		red	green	blue		
EZ300420	180mm	~0,96W	~0,64W	~0,96W	~ 2,56W	110mA
EZ300421	260mm	~1,44W	~0,96W	~1,44W	~ 3,84W	160mA
EZ300422	350mm	~1,92W	~1,28W	~1,92W	~ 5,12W	210mA
EZ300423	520mm	~2,80W	~2,00W	~2,80W	~ 7,60W	320mA
EZ300424	760mm	~4,24W	~2,96W	~4,24W	~ 11,44W	480mA
EZ300425	1,020mm	~5,60W	~4,00W	~5,60W	~ 15,20W	630mA
EZ300426	1,520mm	~8,40W	~6,00W	~8,40W	~ 22,80W	950mA

Intended use:

The LED light is designed for general lighting purposes and suitable for continuous operation.

General safety:

Do not open the housing of the light under any circumstances. Have repairs carried out by qualified personnel only. Damaged connecting cables may only be replaced by the manufacturer, its service representative or a comparable specialist. Operate the LED light only when mounted.

Mounting/Fixing:

The LED light is delivered completely assembled.

The light is mounted using the supplied light holders (see dimensional drawing).

Use light holder 1 if sufficient installation space is available. This gives you the option of rotating the luminaire in 15° steps.

If only little installation space is available, use the light holder 2. This allows both a horizontal and a vertical alignment of the light.

Avoid voltage peaks in the power supply via machines:

When operating the LED light on a 24V mains supply, please note that when starting larger machines (inductors) which are also supplied from this mains supply, very strong interference peaks can occur which destroy the LED light. Furthermore, hot plugging (connection of the luminaire to a power supply unit which is already connected to the mains) must be avoided, as this can also lead to the destruction of the LED luminaire. This damage can only be repaired with great effort and thus generates high costs.

For safe operation:

The operating voltage of the LED light specified on the type of plate must match the supply voltage of the machine or the power supply unit. The light must never be covered with cloths, foils or similar. Do not shine the light into the eyes. Object distance from the light at least 10cm.

When mounting the LED light, make sure that it is firmly attached with the supplied brackets. If the light falls down, there is a risk of injury due to its own weight!

Change of illuminant:

The LED illuminant unit may only be replaced at the factory by qualified personnel.

Cleaning/Maintenance:

Special care is not required. In case of heavy soiling, clean with a solvent-free, absorbent cloth or similar.

Disposal:

At the end of its service life, the product must be disposed of at a suitable disposal point for the recycling of electrical and electronic equipment in accordance with the country-specific regulations.

**SAFETY INSTRUCTIONS**

LED light systems can produce very intense radiation that can possibly damage the eyes if used improperly. The manufacturer cannot be held responsible for damage caused by improper use or connection.

Before commissioning, please make sure that all safety instructions listed in the product documentation, if applicable, have been observed!