

AV000030

ACCESSORIES • LINEAR AND ANGULAR MEASUREMENT



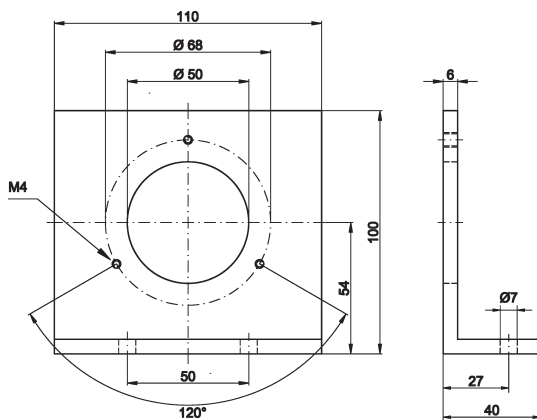
MECHANICAL DATA

Diameter/width of the fastening holes for sensor	7 mm
Height	100 mm
Length	40 mm
Material	Aluminium
Mounting type	Screw
Number of boreholes	3
Painting	Black
Surface	Anodised
Version	Mounting angle bracket
Weight	202 kg
Width	110 mm

OTHER DATA

Scope of delivery	Angle
-------------------	-------

DIMENSIONAL DRAWING



INSTALLATION

DISPOSAL



Mounting / Installation may only be carried out by a qualified electrician!



SAFETY WARNINGS

Before initial operation, please make sure to follow all safety instructions that may be provided in the product information!

Never use these devices in applications where the safety of a person depends on their functionality.